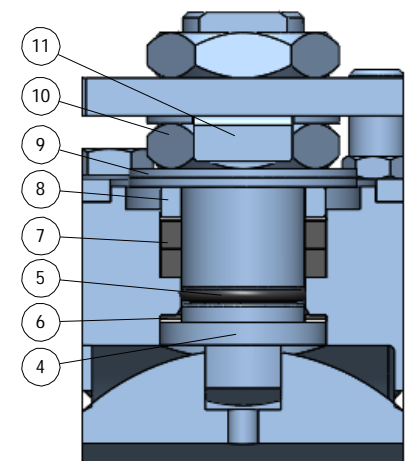
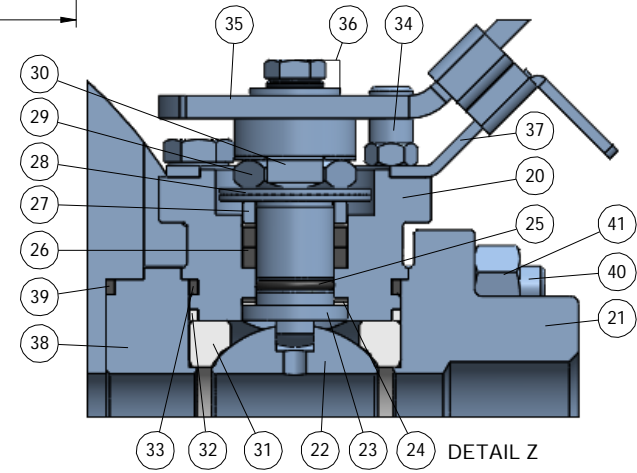
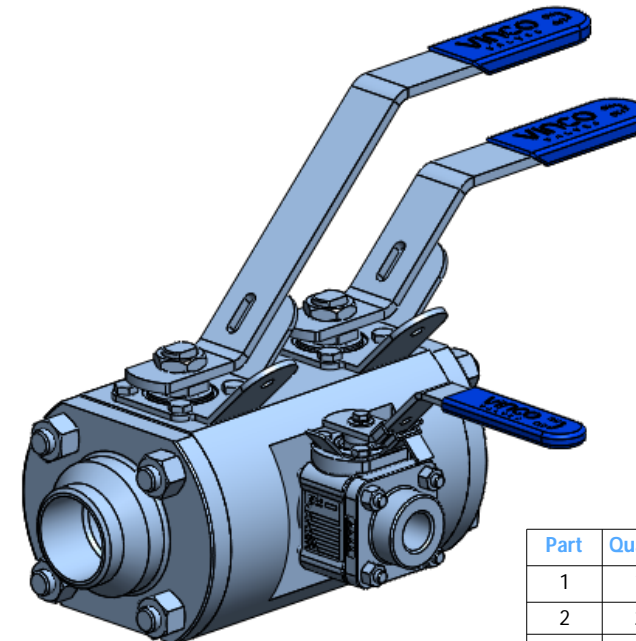
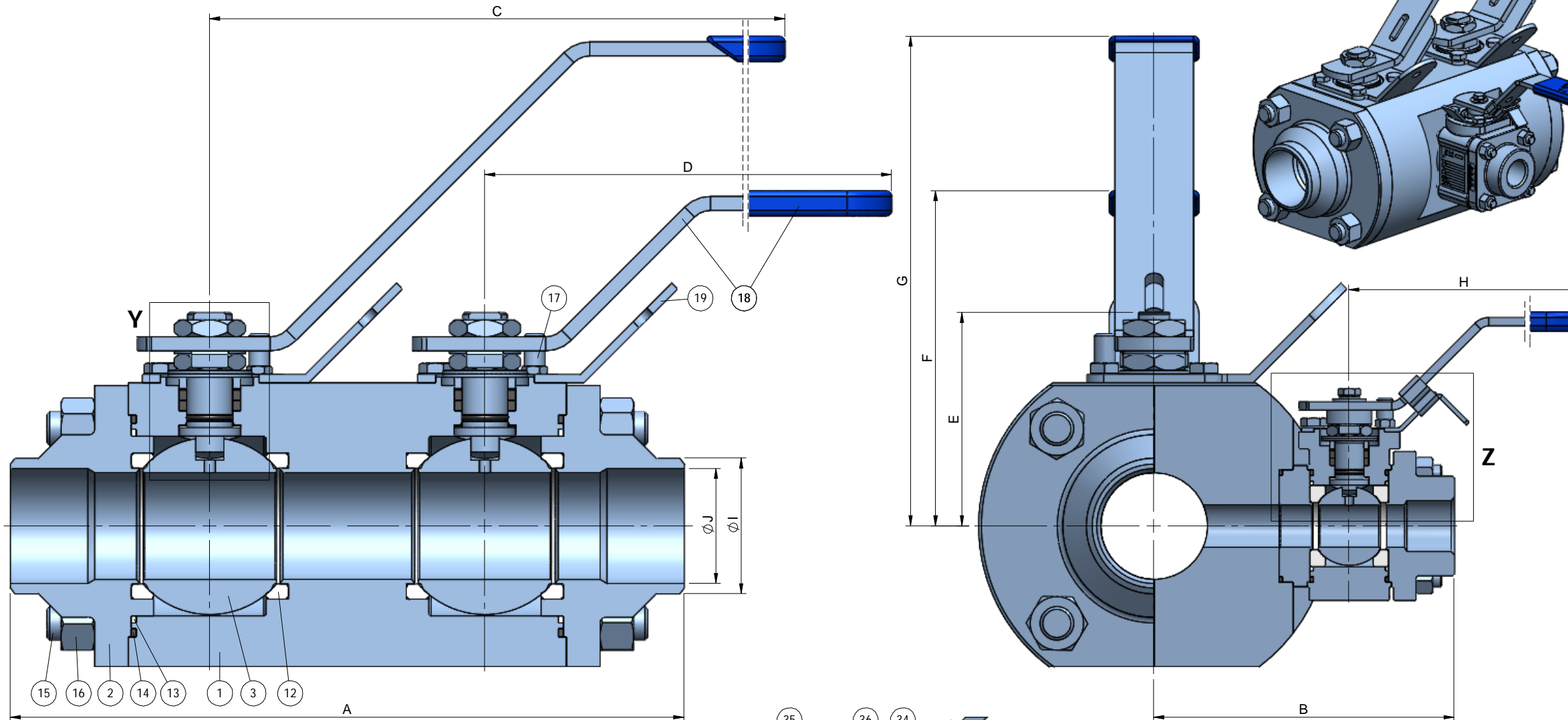




DF Series
 DESIGN FIRESAFE - ATEX
 FULL BORE - DN 1" ÷ 1½" (25 ÷ 40)
 BUTTWELDED SCH40 ENDS
 BLEED CONNECTION: FULL BORE - DN½" (15) THREADED (BSPP) ENDS

DF11F_B2B2FFF31LV

A182 F316-316L • CG-RPTFE



Part	Quant.	Description	Materials
1	1	Body	A182 F316-316L
2	2	End	A182 F316-316L
3	2	Ball	F316L/CF8M
4	2	Stem	A182 F316-316L
5	2	Stem O Ring	FKM
6	2	Stem Thrust Seal	CG-RPTFE + PEEK
7	2	Stem Packing Set	GRAFITE + PEEK
8	2	Gland Packing	A182 F316-316L
9	4	Disc Spring	STAINLESS ST 316
10	4	Stem Nut	STAINLESS ST 316
11	2	Locking Clip	STAINLESS ST 316
12	4	Seat	CG-RPTFE
13	2	1 st Body Seal	CG-RPTFE
14	2	2 nd Body Seal	GRAPHITE
15	8	Stud	A193 Gr. B8M CL.2
16	8	Nut	A194 Gr. 8M
17	2	Stop Pin	A182 F316-316L
18	2	Handle	STAINLESS ST ZINC./VINYL
19	2	Locking Plate	CARBON STEEL ZINC.
20	1	Bleed Body	CF3M
21	1	Bleed End	CF3M
22	1	Bleed Ball	F316L/CF8M
23	1	Bleed Stem	A182 F316-316L
24	2	Bleed Stem Thrust Seal	CG-RPTFE + PEEK
25	1	Bleed Stem O'Ring	FKM
26	1	Bleed Stem Packing Set	GRAFITE + PEEK
27	1	Bleed Gland Packing	A182 F316-316L
28	2	Bleed Disc Spring	STAINLESS ST 316
29	1	Bleed Stem Nut	STAINLESS ST 316
30	1	Bleed Locking Clip	STAINLESS ST 316
31	2	Bleed Seat	CG-RPTFE
32	2	Bleed 1 st Body Seal	CG-RPTFE
33	2	Bleed 2 nd Body Seal	GRAPHITE
34	2	Bleed Stop Pin	A182 F316-316L
35	1	Bleed Handle	STAINLESS ST ZINC./VINYL
36	1	Bleed Handle Bolting	STAINLESS ST 316
37	1	Bleed Locking Plate	CARBON STEEL ZINC.
38	1	Bleed Support	A182 F316-316L
39	1	Bleed Support Seal	GRAPHITE
40	4	Bleed Stud	A193 Gr. B8M CL.2
41	4	Bleed Nut	A194 Gr. 8M

Size / DN		Dimensions											ISO 5211	Weight Approx. Kg
inch	mm	Ball Port	A	B	C	D	E	F	G	H	I	J		
1"	25	25.4	200	97	170	170	58	92	148	140	33.4	26.64	F04	8.6
1½"	40	38.1	240	107	260	200	76	119	174	140	48.3	40.94	F05	16.3