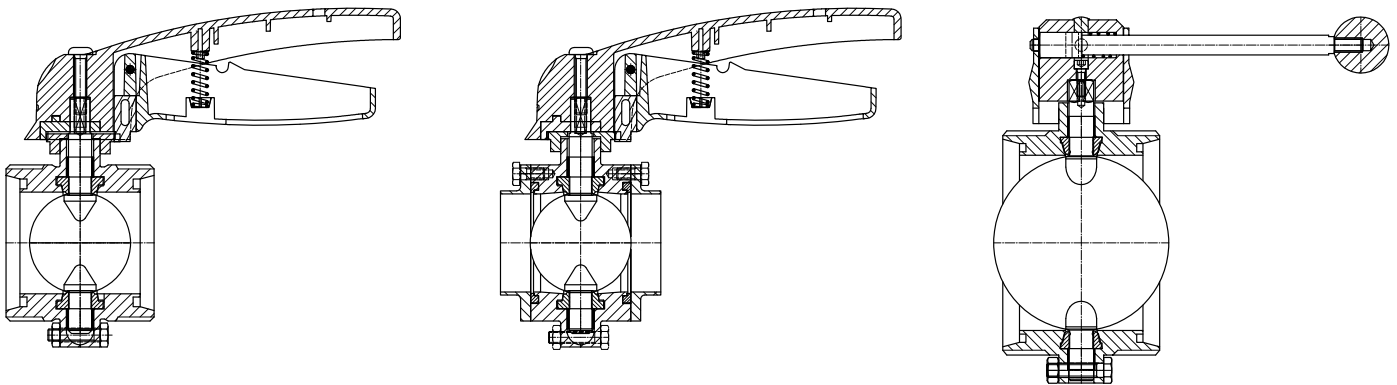


## SPARE PARTS CATALOGUE

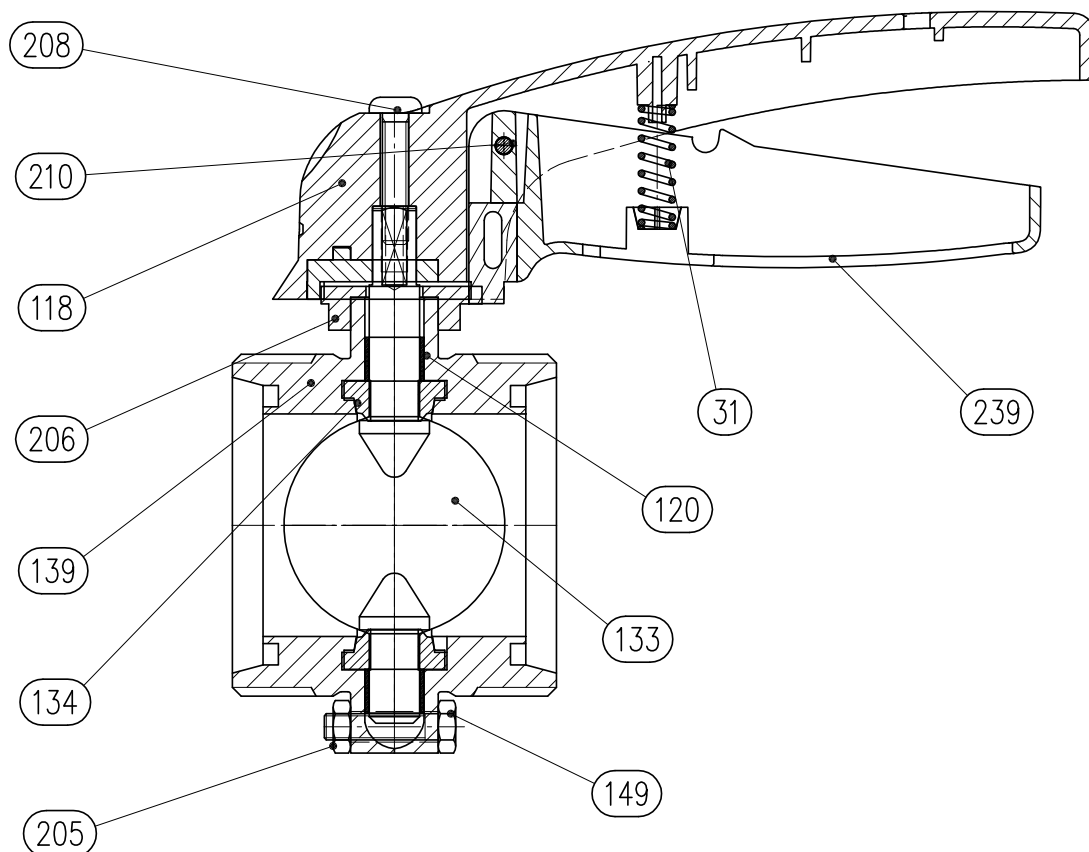
# Manual butterfly valves model: VVF code: BEB\*\*\*\*\* period approx: from 07/2014 to ...



model: VVF DN:10 - - 100

end connection: male-DIN/SMS/BS, weld-DIN/SMS, liner nut-DIN, clamp

gaskets material: SILICONE/EPDM/VIT

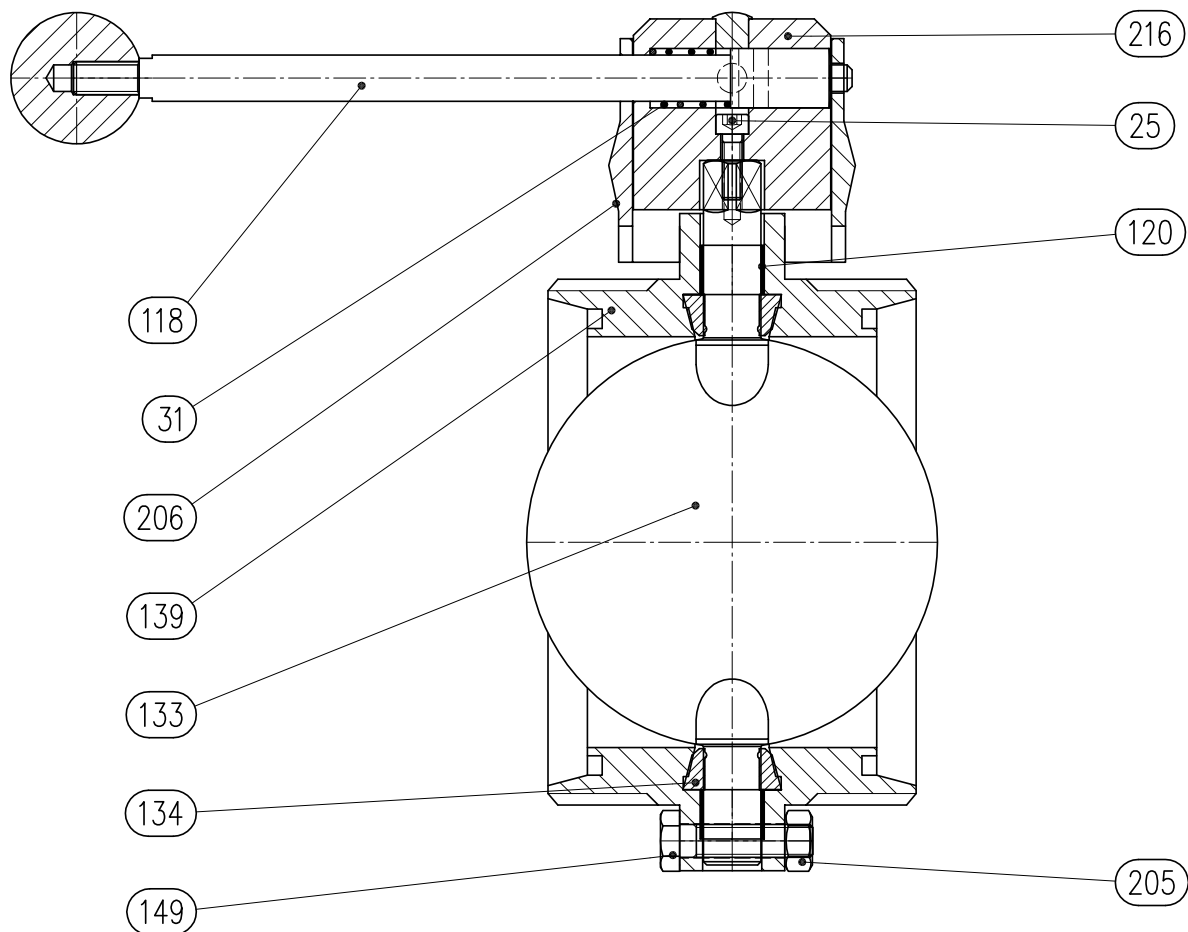


239	Leva/Lever
210	Spina cilindrica/Parallel pin
208	Vite/Socket head screw
206	Cricchetto/Handle positioning collar
205	Dado/Nut
149	Vite/Socket head screw
139	Semicorpo/Casing
134	Guarnizione/Gasket
133	Farfalla/Butterfly valve
120	Boccola/Guide Bush
118	Maniglia/Handle
31	Molla/Spring
Pos.	Descrizione

model: VVF DN:10 - - 150

end connection: male-DIN/SMS/BS, weld-DIN/SMS, liner nut-DIN, clamp

gaskets material: SILICONE/EPDM/VIT



216	Mozzo/Rotating screw
206	Cricchetto/Handle positioning collar
205	Dado/Nut
149	Vite/Socket screw
139	Semicorpo/Casing
134	Guarnizione/Gasket
133	Farfalla/Butterfly valve
120	Boccola/Guide Bush
118	Maniglia/Handle
31	Molla/Spring
25	Vite/Socket screw
Pos.	Descrizione

model: VVF DN:10 - - 100

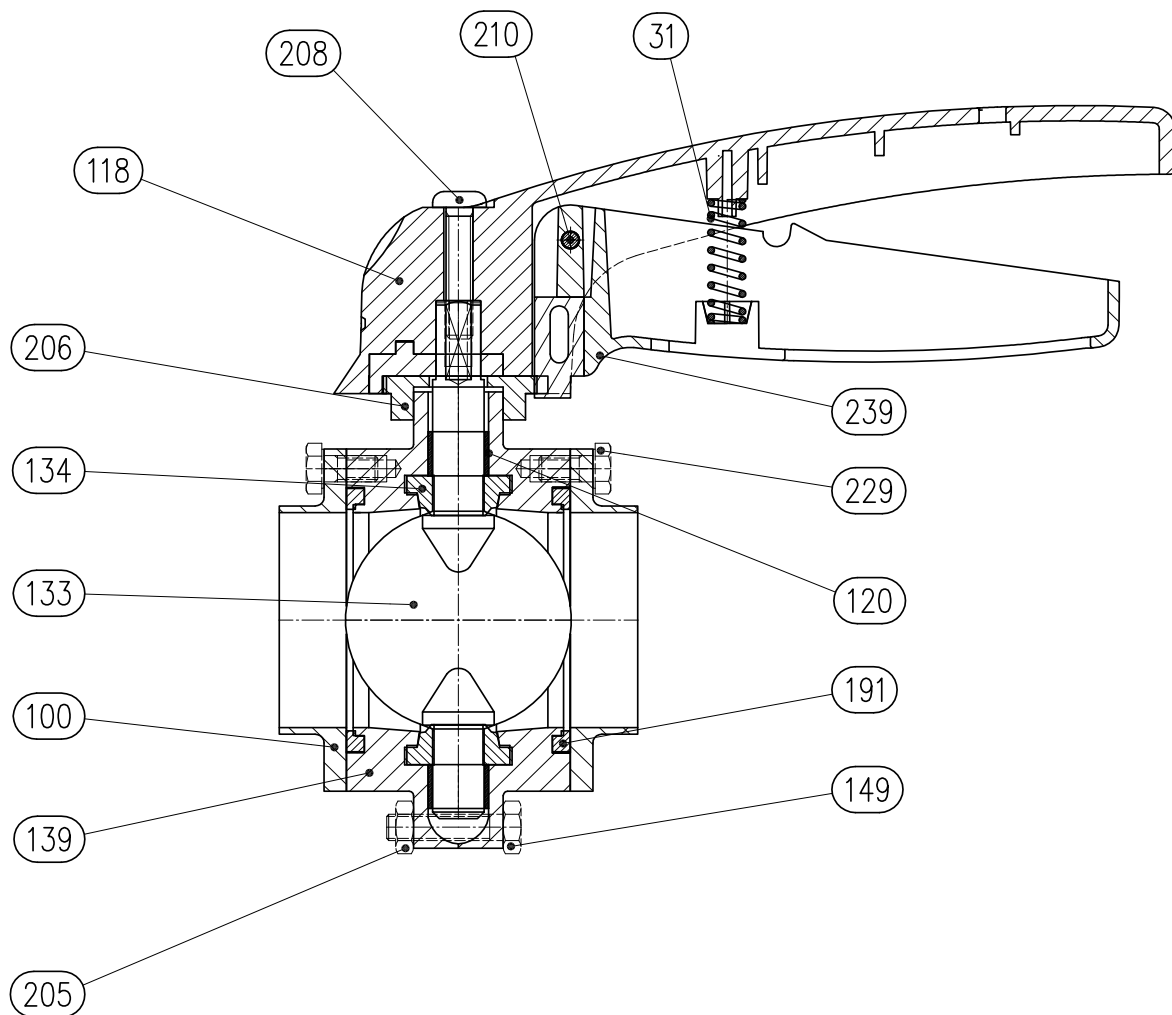
end connection: male-DIN/SMS/BS, weld-DIN/SMS, liner nut-DIN, clamp

gaskets material: SILICONE/EPDM/VIT

Pos.	Q.ty	Description	DN10	DN15-19.05	DN20	DN25-25.4	DN32	DN40-38.1	DN50-50.8
25	1	Socket screw	RBBAA06X16	RBBAA06X16	RBBAA06X16	RBBAA06X16	RBBAA06X16	RBBAA06X16	RBBAA06X16
31	1	Spring	TNSFZ01803	TNSFZ01803	TNSFZ01803	TNSFZ01803	TNSFZ01803	TNSFZ01803	TNSFZ01803
31	1	Spring handle INOX	TNS010010AAA	TNS010010AAA	TNS010010AAA	TNS010010AAA	TNS010010AAA	TNS010010AAA	TNS010010AAA
118	1	Handle 5 position	TNUPS10700	TNUPS10700	TNUPS10700	TNUPS10700	TNUPS10700	TNUPS10700	TNUPS10700
118	1	Handle INOX 5 position							
118	1	Handle INOX 4 position	TNUAA1154	TNUAA1154	TNUAA1154	TNUAA1154	TNUAA1154	TNUAA1154	TNUAA1154
120	2	Guide bush	TOJ010010PVA	TOJ010010PVA	TOJ010011PVA	TOJ010011PVA	TOJ010011PVA	TOJ010011PVA	TOJ010012PVA
133	1	Butterfly	TWDBB0159	TWDBB0159	TWDBB0259	TWDBB0259	TWDBB0329	TWDBB0409	TWDBB0509
134	1	Gasket SILICON	VVF418S015	VVF418S015	VVF418S025	VVF418S025	VVF418S032	VVF418S040	VVF418S050
134	1	Gasket EPDM	VVF418B015	VVF418B015	VVF418B025	VVF418B025	VVF418B032	VVF418B040	VVF418B050
134	1	Gasket VIT	VVF418X015	VVF418X015	VVF418X025	VVF418X025	VVF418X032	VVF418X040	VVF418X050
139	2	Half bodies male DIN	TWDBB0101	TWDBB0151	TWDBB0201	TWDBB0251	TWDBB0321	TWDBB0401	TWDBB0501
139	2	Half bodies liner nut DIN	TWDBB0102	TWDBB0152	TWDBB0202	TWDBB0252	TWDBB0322	TWDBB0402	TWDBB0502
139	2	Half bodies weld DIN	TWDBB0103	TWDBB0153	TWDBB0203	TWDBB0253	TWDBB0323	TWDBB0403	TWDBB0503
139	2	Half bodies weld SMS				TWDBB0257		TWDBB0407	TWDBB0507
139	2	Half bodies CLAMP		TWDBB0157T		TWDBB0257T		TWDBB0407T	TWDBB0507T
139	2	Half bodies male SMS				TWDBB0258		TWDBB0408	TWDBB0508
139	2	Half bodies male BS (RJT)				TWDBB0258R		TWDBB0408R	TWDBB0508R
149	( )	Socket screw	RBAAA06X25 (4)	RBAAA06X25 (4)	RBAAA06X25 (4)	RBAAA06X25 (4)	RBAAA06X25 (4)	RBAAA06X25 (4)	RBAAA06X25 (6)
205	( )	Nut	RBIAA.M06 (4)	RBIAA.M06 (4)	RBIAA.M06 (4)	RBIAA.M06 (4)	RBIAA.M06 (4)	RBIAA.M06 (4)	RBIAA.M06 (6)
206	1	Handle posit.collar	TWDA0005	TWDA0005	TWDA0005	TWDA0005	TWDA0005	TWDA0005	TWDA0005
206	1	Handle INOX posit.collar	TNUAA1151	TNUAA1151	TNUAA1151	TNUAA1151	TNUAA1151	TNUAA1151	TNUAA1151
208	1	Socket screw	RBCAA06X30A	RBCAA06X30A	RBCAA06X30A	RBCAA06X30A	RBCAA06X30A	RBCAA06X30A	RBCAA06X30A
210	1	Parallel pin	RCFAA04X025	RCFAA04X025	RCFAA04X025	RCFAA04X025	RCFAA04X025	RCFAA04X025	RCFAA04X025
216	1	Rotating screw	TNUAA1153	TNUAA1153	TNUAA1153	TNUAA1153	TNUAA1153	TNUAA1153	TNUAA1153
239	1	Lever	TNUPS10800	TNUPS10800	TNUPS10800	TNUPS10800	TNUPS10800	TNUPS10800	TNUPS10800

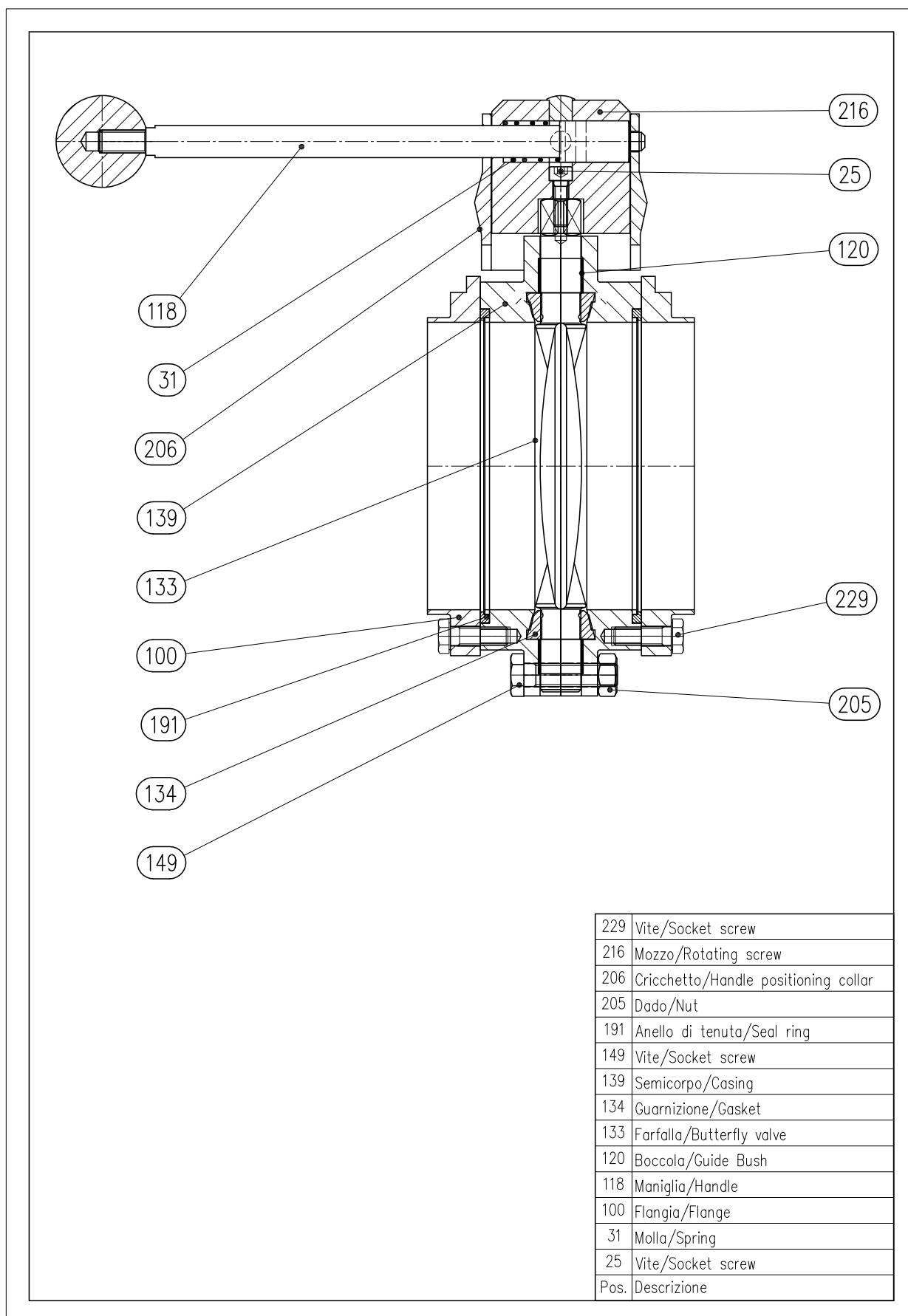
Pos.	Q.ty	Description	DN63.5	DN65	DN76.1	DN80	DN100-101.6	DN125	DN150
25	1	Socket screw	RBBAA06X16	RBBAA06X16	RBBAA06X16	RBBAA06X16	RBBAA06X16	RBBAA06X16	RBBAA06X16
31	1	Spring	TNSFZ01803	TNSFZ01803	TNSFZ01803	TNSFZ01803	TNSFZ01803	TNSFZ01803	TNSFZ01803
31	1	Spring handle INOX	TNS010010AAA	TNS010010AAA	TNS010010AAA	TNS010010AAA	TNS010010AAA	TNSFZ018033	TNSFZ018033
118	1	Handle 5 position	TNUPS10700	TNUPS10700	TNUPS10700	TNUPS10700	TNUPS10700		
118	1	Handle INOX 5 position						TNUAA1143	TNUAA1143
118	1	Handle INOX 4 position	TNUAA1154	TNUAA1154	TNUAA1154	TNUAA1154	TNUAA1154		
120	2	Guide bush	TOJ010012PVA	TOJ010013PVA	TOJ010012PVA	TOJ010014PVA	TOJ010015PVA	TOJ015018PVA	TOJ015018PVA
133	1	Butterfly	TWDBB0639	TWDBB0659	TWDBB0769	TWDBB0809	TWDBB1009	TWDBB1259	TWDBB1509
134	1	Gasket SILICON	VVF418S212	VVF418S065	VVF418S300	VVF418S080	VVF418S100	VVF418S125	VVF418S150
134	1	Gasket EPDM	VVF418B212	VVF418B065	VVF418B300	VVF418B080	VVF418B100	VVF418B125	VVF418B150
134	1	Gasket VIT	VVF418X212	VVF418X065	VVF418X300	VVF418X080	VVF418X100	VVF418X125	VVF418X150
139	2	Half bodies male DIN		TWDBB0651		TWDBB0801	TWDBB1001	TWDBB1251	TWDBB1501
139	2	Half bodies liner nut DIN		TWDBB0652		TWDBB0802	TWDBB1002	TWDBB1252	TWDBB1502
139	2	Half bodies weld DIN		TWDBB0653		TWDBB0803	TWDBB1003	TWD005125BBA	TWD005150BBA
139	2	Half bodies weld SMS	TWDBB0657		TWDBB0807		TWDBB1003		
139	2	Half bodies CLAMP	TWDBB0657T		TWDBB0807T		TWDBB1007T		
139	2	Half bodies male SMS	TWDBB0658		TWDBB0808		TWDBB1008		
139	2	Half bodies male BS (RJT)	TWDBB0658R		TWDBB0808R		TWDBB1008R		
149	( )	Socket screw	RBAAA06X25 (6)	RBAAA06X25 (6)	RBAAA06X30 (6)	RBAAA06X30 (6)	RBAAA06X30 (6)	RBAAA10X40 (6)	RBAAA10X40 (6)
205	( )	Nut	RBIAA.M06 (6)	RBIAA.M06 (6)	RBIAA.M06 (6)	RBIAA.M06 (6)	RBIAA.M06 (6)	RBIAA.M10 (6)	RBIAA.M10 (6)
206	1	Handle posit.collar	TWDA0005	TWDA0005	TWDA0007	TWDA0007	TWDA0007		
206	1	Handle INOX posit.collar	TNUAA1151	TNUAA1151	TNUAA1152	TNUAA1152	TNUAA1152	TNUAA1141	TNUAA1141
208	1	Socket screw	RBCAA06X30A	RBCAA06X30A	RBCAA06X30A	RBCAA06X30A	RBCAA06X30A		
210	1	Parallel pin	RCFAA04X025	RCFAA04X025	RCFAA04X025	RCFAA04X025	RCFAA04X025		
216	1	Rotating screw	TNUAA1153	TNUAA1153	TNUAA1153	TNUAA1153	TNUAA1153	TNUAA1142	TNUAA1142
239	1	Lever	TNUPS10800	TNUPS10800	TNUPS10800	TNUPS10800	TNUPS10800		

**model: VVF DN:10 - - 100**  
**end connection: waf**  
**gaskets material: EPDM/VIT**



239	Leva/Lever
229	Vite/Socket head screw
210	Spina cilindrica/Parallel pin
208	Vite/Socket head screw
206	Cricchetto/Handle positioning collar
205	Dado/Nut
191	Anello di tenuta/Seal ring
149	Vite/Socket head screw
139	Semicorpo/Casing
134	Guarnizione/Gasket
133	Farfalla/Butterfly valve
120	Boccola/Guide Bush
118	Maniglia/Handle
100	Flangia/Flange
31	Molla/Spring
Pos.	Description

**model: VVF DN:10 - - 150**  
**end connection: waf**  
**gaskets material: EPDM/VIT**



**model: VVF DN:10 - - 150**  
**end connection: waf**  
**gaskets material: EPDM/VIT**

Pos.	Q.ty	Description	DN10	DN15-19.05	DN20	DN25-25.4	DN32	DN40-38.1	DN50-50.8
25	1	Socket screw	RBBAA06X16	RBBAA06X16	RBBAA06X16	RBBAA06X16	RBBAA06X16	RBBAA06X16	RBBAA06X16
31	1	Spring	TNSFZ01803	TNSFZ01803	TNSFZ01803	TNSFZ01803	TNSFZ01803	TNSFZ01803	TNSFZ01803
31	1	Spring handle INOX	TNS010010AAA	TNS010010AAA	TNS010010AAA	TNS010010AAA	TNS010010AAA	TNS010010AAA	TNS010010AAA
100	2	Flange WAF DIN	TPM013010BBA	TPM013015BBA	TPM013020BBA	TPM013025BBA	TPM013032BBA	TPM013040BBA	TPM013050BBA
100	2	Flange WAF SMS				TPM015100BBA		TPM015112BBA	TPM015200BBA
118	1	Handle 5 position	TNUPS10700	TNUPS10700	TNUPS10700	TNUPS10700	TNUPS10700	TNUPS10700	TNUPS10700
118	1	Handle INOX 5 position							
118	1	Handle INOX 4 position	TNUAA1154	TNUAA1154	TNUAA1154	TNUAA1154	TNUAA1154	TNUAA1154	TNUAA1154
120	2	Guide bush	TOJ010011PVA	TOJ010011PVA	TOJ010011PVA	TOJ010011PVA	TOJ010011PVA	TOJ010011PVA	TOJ010012PVA
133	1	Butterfly	TWDBB0259	TWDBB0259	TWDBB0259	TWDBB0259	TWDBB0329	TWDBB0409	TWDBB0509
134	1	Gasket EPDM	VVF418B025	VVF418B025	VVF418B025	VVF418B025	VVF418B032	VVF418B040	VVF418B050
134	1	Gasket VIT	VVF418X025	VVF418X025	VVF418X025	VVF418X025	VVF418X032	VVF418X040	VVF418X050
139	2	Half bodies WAF	TWD002025BBA	TWD002025BBA	TWD002025BBA	TWD002025BBA	TWD002032BBA	TWD002040BBA	TWD002050BBA
149	( )	Socket screw	RBAAA06X25 (4)	RBAAA06X25 (4)	RBAAA06X25 (4)	RBAAA06X25 (4)	RBAAA06X25 (4)	RBAAA06X25 (4)	RBAAA06X25 (6)
191	2	Gasket WAF EPDM	TPH001036GMA	TPH001036GMA	TPH001036GMA	TPH001036GMA	TPH001042GMA	TPH001048GMA	TPH001060GMA
191	2	Gasket WAF VIT	TPH001036GDA	TPH001036GDA	TPH001036GDA	TPH001036GDA	TPH001042GDA	TPH001048GDA	TPH001060GDA
205	( )	Nut	RBIAA.M06 (4)	RBIAA.M06 (4)	RBIAA.M06 (4)	RBIAA.M06 (4)	RBIAA.M06 (4)	RBIAA.M06 (4)	RBIAA.M06 (6)
206	1	Handle posit.collar	TWDA00005	TWDA00005	TWDA00005	TWDA00005	TWDA00005	TWDA00005	TWDA00005
206	1	Handle INOX posit.collar	TNUAA1151	TNUAA1151	TNUAA1151	TNUAA1151	TNUAA1151	TNUAA1151	TNUAA1151
208	1	Socket screw	RBCAA06X30A	RBCAA06X30A	RBCAA06X30A	RBCAA06X30A	RBCAA06X30A	RBCAA06X30A	RBCAA06X30A
210	1	Parallel pin	RCFAA04X025	RCFAA04X025	RCFAA04X025	RCFAA04X025	RCFAA04X025	RCFAA04X025	RCFAA04X025
216	1	Rotating screw	TNUAA1153	TNUAA1153	TNUAA1153	TNUAA1153	TNUAA1153	TNUAA1153	TNUAA1153
229	8	Socket screw	RBAAA06X12	RBAAA06X12	RBAAA06X12	RBAAA06X12	RBAAA06X12	RBAAA06X12	RBAAA06X12
239	1	Lever	TNUPS10800	TNUPS10800	TNUPS10800	TNUPS10800	TNUPS10800	TNUPS10800	TNUPS10800

Pos.	Q.ty	Description	DN63.5	DN65	DN76.1	DN80	DN100-101.6	DN125	DN150
25	1	Socket screw	RBBAA06X16	RBBAA06X16	RBBAA06X16	RBBAA06X16	RBBAA06X16	RBBAA06X16	RBBAA06X16
31	1	Spring	TNSFZ01803	TNSFZ01803	TNSFZ01803	TNSFZ01803	TNSFZ01803	TNSFZ01803	TNSFZ01803
31	1	Spring handle INOX	TNS010010AAA	TNS010010AAA	TNS010010AAA	TNS010010AAA	TNS010010AAA	TNSFZ018033	TNSFZ018033
100	2	Flange WAF DIN		TPM03065BBA		TPM013080BBA	TPM013100BBA	TPM013125BBA	TPM013150BBA
100	2	Flange WAF SMS	TPM015212BBA		TPM015300BBA		TPM013100BBA		
118	1	Handle 5 position	TNUPS10700	TNUPS10700	TNUPS10700	TNUPS10700	TNUPS10700		
118	1	Handle INOX 5 position						TNUAA1143	TNUAA1143
118	1	Handle INOX 4 position	TNUAA1154	TNUAA1154	TNUAA1154	TNUAA1154	TNUAA1154		
120	2	Guide bush	TOJ010012PVA	TOJ010013PVA	TOJ010012PVA	TOJ010014PVA	TOJ010015PVA	TOJ015018PVA	TOJ015018PVA
133	1	Butterfly	TWDBB0639	TWDBB0659	TWDBB0769	TWDBB0809	TWDBB1009	TWDBB1259	TWDBB1509
134	1	Gasket EPDM	VVF418B212	VVF418B065	VVF418B300	VVF418B080	VVF418B100	VVF418B125	VVF418B150
134	1	Gasket VIT	VVF418X212	VVF418X065	VVF418X300	VVF418X080	VVF418X100	VVF418X125	VVF418X150
139	2	Half bodies WAF	TWD003212BBA	TWD002065BBA	TWD003300BBA	TWD002080BBA	TWD002100BBA	TWD002125BBA	TWD002150BBA
149	( )	Socket screw	RBAAA06X25 (6)	RBAAA06X25 (6)	RBAAA06X30 (6)	RBAAA06X30 (6)	RBAAA06X30 (6)	RBAAA10X40 (6)	RBAAA10X40 (6)
191	2	Gasket WAF EPDM	TPH001071GMA	TPH001077GMA	TPH001083GMA	TPH001092GMA	TPH001109GMA	TPH001136GMA	TPH001161GMA
191	2	Gasket WAF VIT	TPH001071GDA	TPH001077GDA	TPH001083GDA	TPH001092GDA	TPH001109GDA	TPH001136GDA	TPH001161GDA
205	( )	Nut	RBIAA.M06 (6)	RBIAA.M06 (6)	RBIAA.M06 (6)	RBIAA.M06 (6)	RBIAA.M06 (6)	RBIAA.M10 (6)	RBIAA.M10 (6)
206	1	Handle posit.collar	TWDA00005	TWDA00005	TWDA00007	TWDA00007	TWDA00007		
206	1	Handle INOX posit.collar	TNUAA1151	TNUAA1151	TNUAA1152	TNUAA1152	TNUAA1152	TNUAA1141	TNUAA1141
208	1	Socket screw	RBCAA06X30A	RBCAA06X30A	RBCAA06X30A	RBCAA06X30A	RBCAA06X30A		
210	1	Parallel pin	RCFAA04X025	RCFAA04X025	RCFAA04X025	RCFAA04X025	RCFAA04X025		
216	1	Rotating screw	TNUAA1153	TNUAA1153	TNUAA1153	TNUAA1153	TNUAA1153	TNUAA1142	TNUAA1142
229	8	Socket screw	RBAAA06X12	RBAAA06X12	RBAAA06X16	RBAAA06X16	RBAAA06X16	RBAAA08X20	RBAAA10X25
239	1	Lever	TNUPS10800	TNUPS10800	TNUPS10800	TNUPS10800	TNUPS10800		

**model: VVF DN:10 - - 150**  
**end connection: WAFER**  
**gaskets material: EPDM/VIT**

	DN10 - - 20	DN25 - 25.4	DN32	DN40 - 38.1	DN50 - 50.8
Service KIT wetted part EPDM	TTABEA025E1	TTABEA025E1	TTABEA032E1	TTABEA040E1	TTABEA050E1
Service KIT wetted part VIT	TTABEA025V1	TTABEA025V1	TTABEA032V1	TTABEA040V1	TTABEA050V1
Position	134 - 191				

	DN63.5	DN65	DN76.1	DN80	DN100 - 101.6
Service KIT wetted part EPDM	TTABEA212E1	TTABEA065E1	TTABEA300E1	TTABEA080E1	TTABEA100E1
Service KIT wetted part VIT	TTABEA212V1	TTABEA065V1	TTABEA300V1	TTABEA080V1	TTABEA100V1
Position	134 - 191				

	DN125 - 127	DN150 - 152.4
Service KIT wetted part EPDM	TTABEA125E1	TTABEA150E1
Service KIT wetted part VIT	TTABEA125V1	TTABEA150V1
Position	134 - 191	

# Recommendations

- 1.** Consultation of the “Instruction, Use and Maintenance Manual” is mandatory prior to the installation, use and maintenance of the products of all Products. All the information, indications, specifications, technical details provided herein are based on test data which the Manufacturer Bardiani Valvole S.p.A. holds to be reliable nevertheless the above is not deemed to be assumed as fully exhaustive inasmuch as not every possible use has been envisaged.
- 2.** All the illustrations and drawings provided are to be intended as indicative and therefore not binding, the illustrations being for presentation purposes only.
- 3.** It is the Buyer’s duty to assess the suitability of the products for the use he intends to make of the same prior to placing the order as he/she will take the risks and accept liability in case of incorrect choice and use of the Products.
- 4.** The Manufacturer strongly recommends the Buyer to contact their sales team and request any information that might be needed in relation to the specifications and uses of the Products.
- 5.** The information provided in this manual refers to the standard products manufactured by Bardiani Valvole S.p.A. and therefore cannot be assumed to apply to customized products as well.
- 6.** Bardiani Valvole S.p.A. reserves the right to amend and/or integrate and/or update the data and/or information and/or technical details relative to Products at any time and without prior notice. Please visit the website [www.bardiani.com](http://www.bardiani.com), where the latest updated of the “Instruction, Use and Maintenance Manual” can be found”.
- 7.** The content and validity of the warranty covering the Products of Bardiani Valvole S.p.A are dealt with in the relevant section in the “Instruction, Use and Maintenance Manual” which constitutes an integral part of the Products themselves.
- 8.** Bardiani Valvole S.p.A., shall not in any way be held liable for immaterial, indirect and consequential damages, such as (by way of example only), damages or loss of business, contracts, opportunities, time, production, profits, goodwill, image etc..