



Forged Globe Valves Class 150/300/600
Fig. G150RF, G300RF & G600RF
Size 1/2" – 2" (DN 15 – 50)



FIG. G150RF
FIG. G300RF
FIG. G600RF
GLOBE VALVE

BS 5352, ASME B16.34
Connections according to:
ASME B16.5

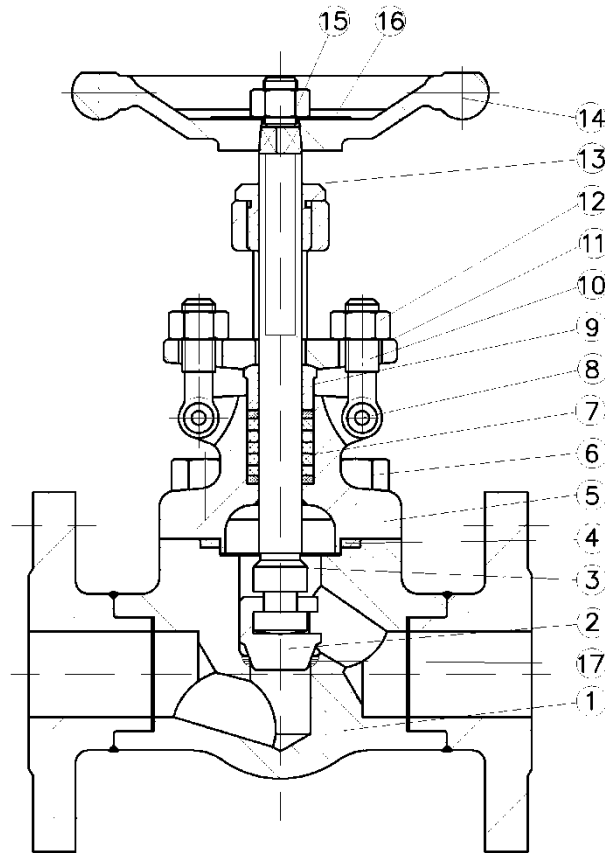


RAM Forged Globe Valves Class 150/300/600

Fig. G150RF, G300RF & G600RF

Parts and Materials

Parts and materials



Item	Description	Material	
		Carbon Steel	Stainless Steel
1	Body	A 105	A 182 F316L
2	Disc	AISI 420 + STL	A 182 F316L
3	Stem	AISI 410	A 182 F316L
4	Gasket	AISI 304 + Graphite	AISI 316 + Graphite
5	Bonnet	A 105	A 182 F316L
6	Bolt	A 193 B7	A 193 B8M
7	Packing	Flexible Graphite + Carbon Fibre	
8	Pin	AISI 420	AISI 304
9	Packing Gland	AISI 420	AISI 316L
10	Eye Bolt	A 193 B8	A 193 B8M
11	Gland Flange	A 105	A 182 F316L
12	Hex Nut	A 194 8	A 194 8M
13	Yoke Nut	AISI 410	
14	Handwheel	A 197	
15	Hex Nut	1035 Zinc Plated	
16	Nameplate	Aluminium	
17	Seat	A 105 + STL	A 182 F316L + STL

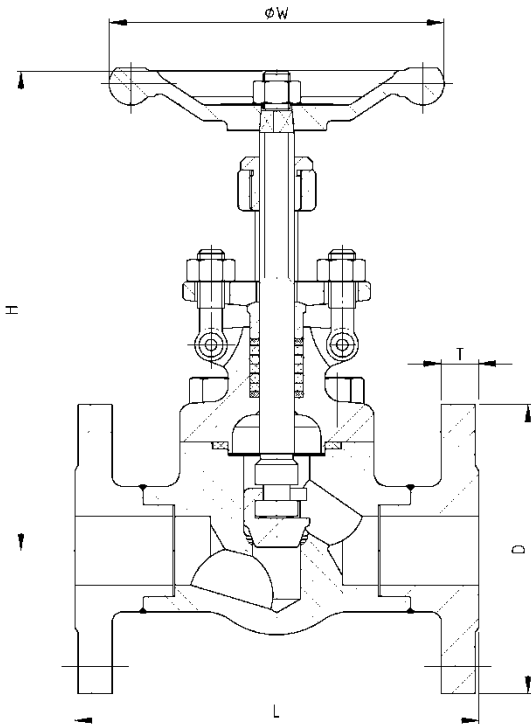


Forged Globe Valves Class 150/300/600

Fig. G150RF, G300RF & G600RF

Dimensions

Dimensions



Series G150RF (Class 150)

SIZE	L	D	T	W	H	WEIGHT
1/2" (DN 15)	108	89	11,5	100	158	3,3
3/4" (DN 20)	117	98	13	100	163	4
1" (DN 25)	127	108	14,5	125	193	6
1 1/4" (DN 32)	140	118	16	160	250	7
1 1/2" (DN 40)	165	127	17,5	160	250	10,5
2" (DN 50)	203	152	19,5	180	291	17

(*) Dimensions in mm and weight in kg.

Series G300RF (Class 300)

SIZE	L	D	T	W	H	WEIGHT
1/2" (DN 15)	152	95	14,5	100	158	4,8
3/4" (DN 20)	178	118	16	100	163	6,2
1" (DN 25)	203	124	17,5	125	193	9,3
1 1/4" (DN 32)	216	133	19,5	160	250	14
1 1/2" (DN 40)	229	156	21	160	250	16
2" (DN 50)	267	165	22,5	180	291	24

(*) Dimensions in mm and weight in kg.

Series G600RF (Class 600)

SIZE	L	D	T	W	H	WEIGHT
1/2" (DN 15)	165	95	21,3	100	158	6,2
3/4" (DN 20)	190	115	22,9	100	163	8,4
1" (DN 25)	216	125	24,5	125	193	12,6
1 1/4" (DN 32)	229	135	27,7	160	250	21,8
1 1/2" (DN 40)	241	155	29,3	160	250	22,5
2" (DN 50)	292	165	32,4	180	291	32

(*) Dimensions in mm and weight in kg.

Note:

Dimensions not subject to International Standards can vary in ±10%. ICP reserves the right to change those dimensions without notice, due to they do not affect integrity and performance of the valves.



Forged Globe Valves Class 150/300/600

Fig. G150RF, G300RF & G600RF

General Characteristics, Torque, KV, P&T Rating

GENERAL CHARACTERISTICS	Forged Globe Valve		
DESIGN STANDARDS			
Valves design	BS 5352	ASME B16.34	
Connections	ANSI B 1.20.1	ANSI B 16.11	
Face to face dimensions	ASME B16,10		
TESTS AND CERTIFICATES	API 598		
Quality Assurance	ISO 9001		
Pressure testing	EN 12266-1		
Marking	EN 19		

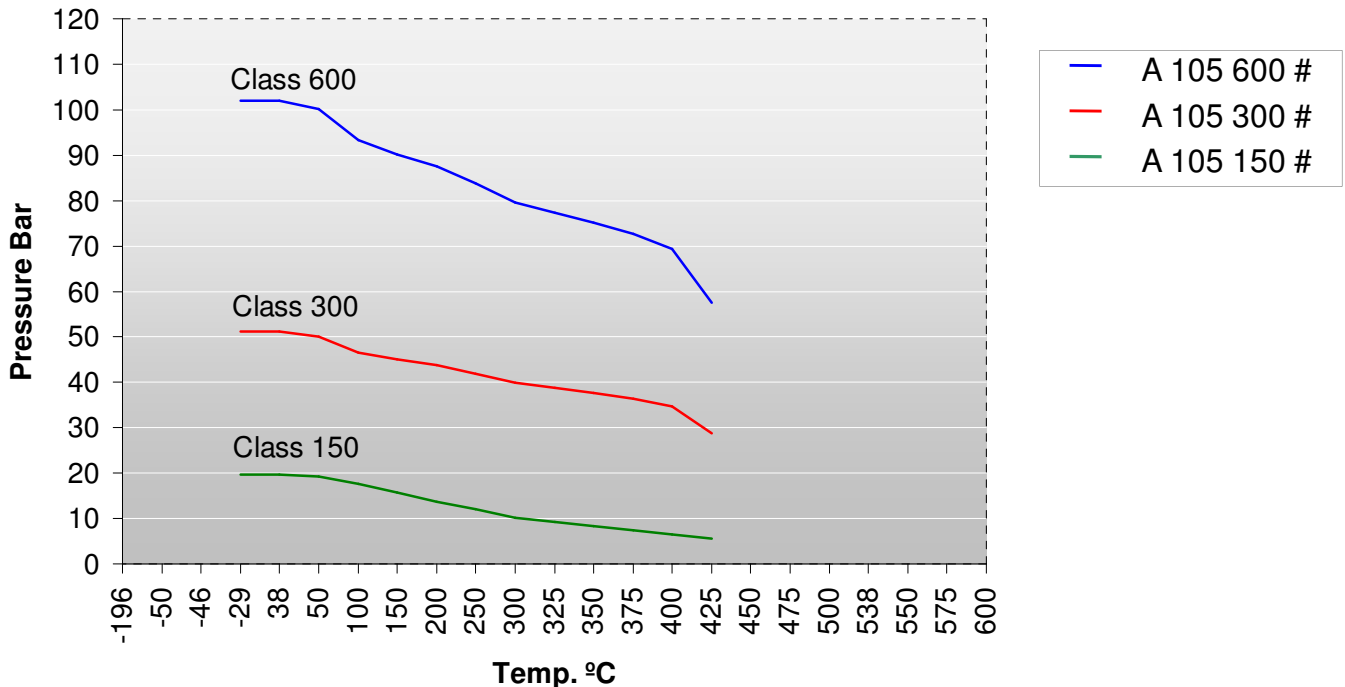
(*) Welded flanges

Kv Values in m3/h

VALVE SIZE	Kv	VALVE SIZE	Kv
½" (DN 15)	1	1¼" (DN 32)	9,5
¾" (DN 20)	2,3	1½" (DN 40)	15
1" (DN 25)	4,6	2" (DN 50)	19,9

Pressure-Temperature

A105





Forged Globe Valves Class 150/300/600

Fig. G150RF, G300RF & G600RF

General Characteristics, Torque, KV, P&T Rating

Pressure-Temperature

A182 F316L

