

RAM Forged Check Valves
Fig. R800 Class 800
Size ½” – 2” (DN 15 – 50)



**FIG. R800
CHECK VALVE**

BS5352, MSS SP 118 & ASME B16.34

Connections according to:

ANSI B 1.20.1 (NPT)

ANSI B 16.11 (SW)

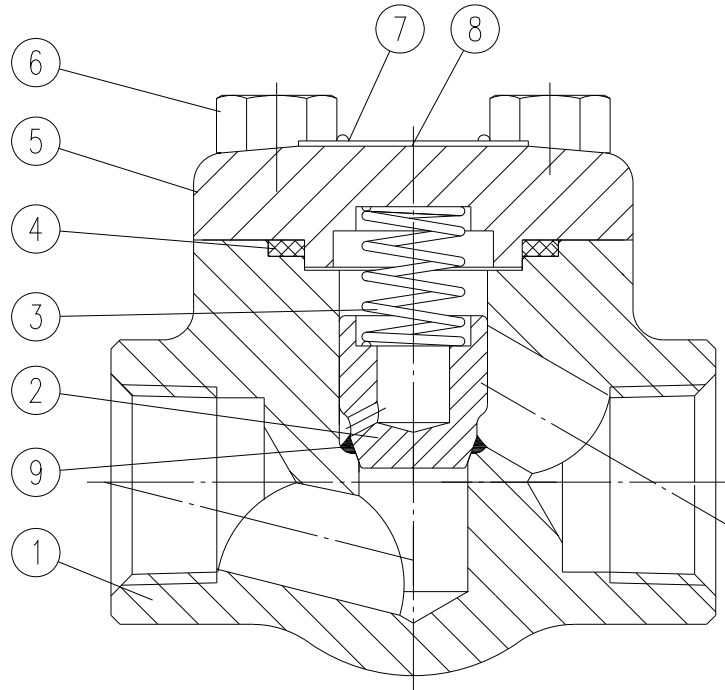
CE

RAM Forged Check Valves

Fig. R800 Class 800

Parts and Materials

Parts and materials

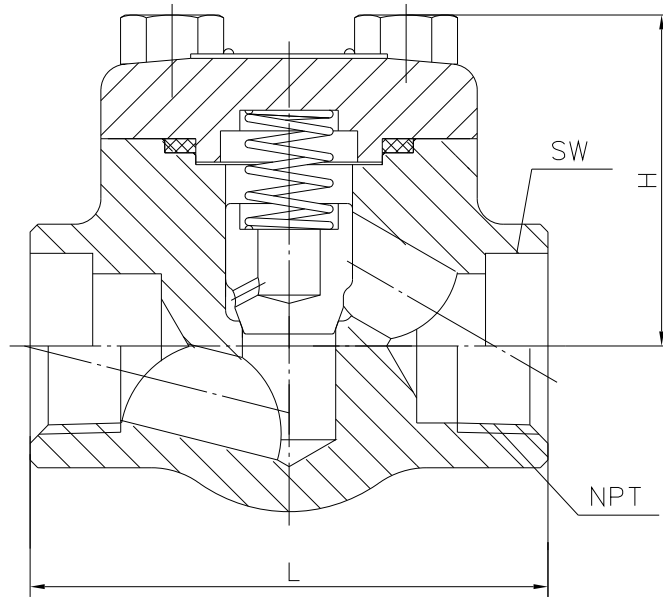


Item	Description	Material	
		Carbon Steel	Stainless Steel
1	Body	A 105	A 182 F316L
2	Piston disc	A 276 420	A 182 F316L
3	Spring	17-4 PH	
4	Gasket	AISI 304 + Graphite	AISI 316 + Graphite
5	Bonnet	A 105	A 182 F316L
6	Bolt	A 193 B7	A 193 B8M
7	Ribet	A 182 F304	A 182 F316
8	Nameplate	Aluminium	
9	Seat	A 105 + STL	A 182 F316L + STL

RAM Forged Check Valves

Fig. R800 Class 800

Dimensions



Dimensions

SIZE	L	NPT	H	Weight
½" (DN 15)	79	½"	51	1,6
¾" (DN 20)	92	¾"	55	1,8
1" (DN 25)	110	1"	68	3,2
1¼" (DN 32)	152	1¼"	97	5,1
1½" (DN 40)	152	1½"	97	6,2
2" (DN 50)	172	2"	103	10,2

(*) Dimensions in mm and weight in kg.

Note:

Dimensions not subject to International Standards can vary in ±10%. RAM reserves the right to change those dimensions without notice, due to they do not affect integrity and performance of the valves.

RAM Forged Check Valves

Fig. R800 Class 800

General Characteristics, KV, P&T Rating

GENERAL CHARACTERISTICS	Forged Check Valve	Fig. R800		
DESIGN STANDARDS				
Valves design	BS 5352	MSS SP 118	ASME B 16.34	
Connections	ANSI B 1.20.1	ANSI B 16.11		
Face to face dimensions	Manufacturer's standard			
TESTS AND CERTIFICATES	API 598			
Quality Assurance	ISO 9001			
Pressure testing	EN 12266-1			
Marking	EN 19			

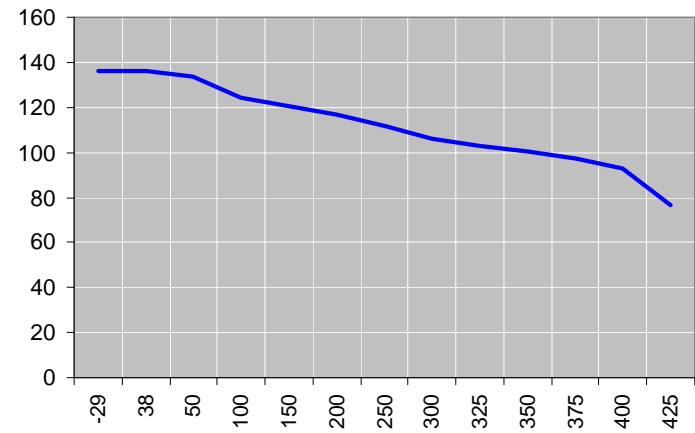
Kv Values in m3/h

VALVE SIZE	Kv	VALVE SIZE	Kv
½" (DN 15)	1,9	1¼" (DN 32)	11,7
¾" (DN 20)	4,2	1½" (DN 40)	17,3
1" (DN 25)	6,2	2" (DN 50)	28,9

Pres

ASTM A105

P Bar



MATERIAL

- A 105
- A 182 F316L

P Bar

