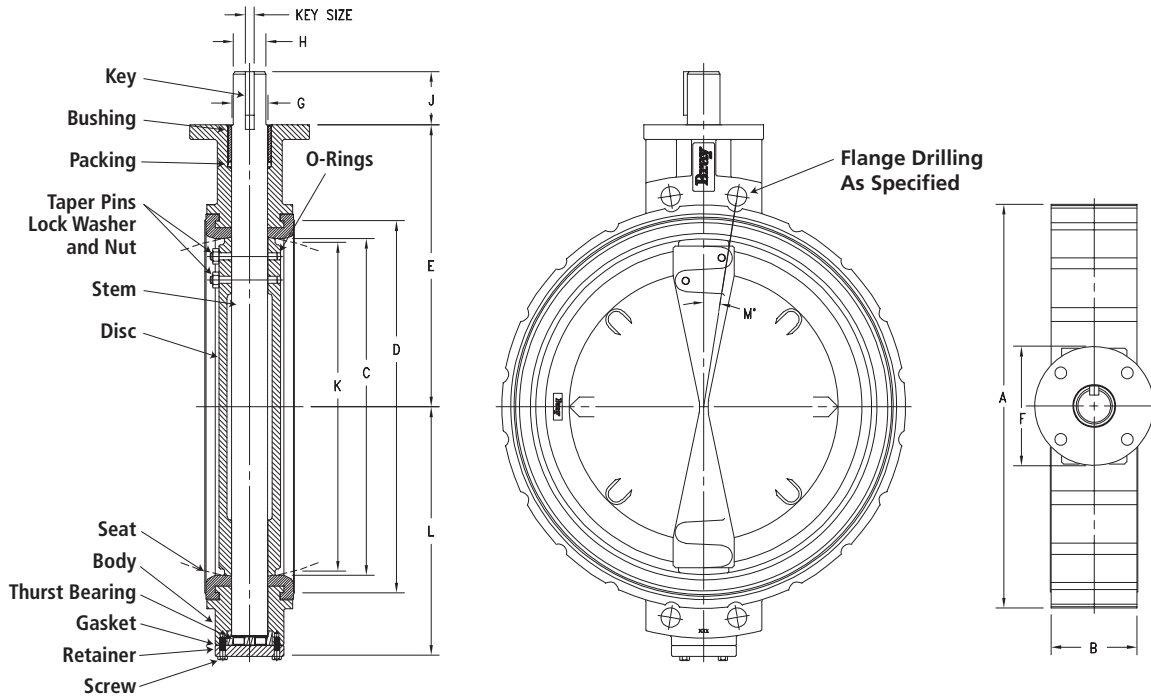


Series 32/33 Wafer



IMPERIAL DIMENSIONS: Inches

Valve Size	Ins							Mounting Flange Drig.			SERIES 32				SERIES 33				Weight (lbs.)	
		A	B	C	D	E	F	PCD	No. Holes	Hole Dia.	G	H	J	Key Size	K	H	J	Key Size		K
22	25.50	6.06	21.27	24.12	20.12	8.27	6.50	4	.81	2.50	2.50	4.00	.62x.62	20.51	2.50	4.00	.62x.62	20.56	16.56	400
24	27.94	5.94	23.28	25.75	19.50	8.27	6.50	4	.81	2.50	2.50	4.00	.62x.62	22.65	2.50	4.00	.62x.62	22.70	17.56	420
26	29.50	6.50	24.46	27.83	21.83	11.81	10.00	8	.71	2.50	2.50	4.00	.62x.62	23.71	2.50	4.00	.62x.62	23.76	18.82	540
28	31.11	6.50	26.46	29.83	22.84	11.81	10.00	8	.71	2.50	2.50	4.00	.62x.62	25.74	2.50	4.00	.62x.62	25.78	19.83	580
30	34.13	6.56	29.29	32.14	23.00	11.81	10.00	8	.71	3.00	2.50	4.00	.62x.62	28.68	3.00	4.00	.75x.75	28.73	20.81	660
32	35.55	7.48	30.39	33.78	26.38	11.81	10.00	8	.71	3.00	2.50	4.00	.62x.62	29.59	3.00	4.00	.75x.75	29.65	21.94	785
34	38.75	7.88	33.00	35.82	26.93	13.78	11.73	8	.81	3.50	3.00	4.00	.75x.75	32.18	3.50	5.25	.88x.62	32.22	23.66	905
36	40.69	7.88	35.30	38.25	27.75	13.78	11.73	8	.81	3.50	3.00	4.00	.75x.75	34.57	3.50	5.25	.88x.62	34.62	24.94	1025

Note: K dimension is disc chordal dimension at valve face.

METRIC DIMENSIONS: Millimeters

Valve Size	mm							Mounting Flange Drig.			SERIES 32				SERIES 33				Weight (kg)	
		A	B	C	D	E	F	PCD	No. Holes	Hole Dia.	G	H	J	Key Size	K	H	J	Key Size		K
550	648	154	540	611	511	210	165	4	21	63.5	63.5	101.6	18.11	521	63.5	101.6	18x11	522	419	181
600	710	151	591	654	495	210	165	4	21	63.5	63.5	101.6	18.11	575	63.5	101.6	18x11	576	446	191
650	749	165	621	707	554	300	254	8	18	63.5	63.5	101.6	18.11	601	63.5	101.6	18x11	602	478	245
700	790	165	672	756	580	300	254	8	18	63.5	63.5	101.6	18.11	654	63.5	101.6	18x11	655	502	263
750	868	167	744	813	584	210	165	4	18	76.2	63.5	101.6	18.11	728	76.2	101.6	20x12	730	529	299
800	903	190	772	856	670	300	254	8	18	76.2	63.5	101.6	18.11	751	76.2	101.6	20x12	752	556	356
850	984	200	838	908	684	350	298	8	21	88.9	76.2	101.6	20x12	817	88.9	133.4	22x14	818	599	411
900	1034	200	899	972	705	273	216	8	21	88.9	76.2	101.6	20x12	817	88.9	133.4	22x14	879	633	465

Note: K dimension is disc chordal dimension at valve face.

Drawings are for reference only. Please refer to Bray ES drawings on the Bray website, www.bray.com. Bray reserves the right to change product dimensions without notice.

SR Drawing #32/33-22/36-im January - 2015

Inquire/P.O. No.: _____

Customer/Project: _____

Bray Order No.: _____