



STERIVALVES

STERISPLIT

Alessandro Puliero

Area Sales Manager



STERI SPLIT

- High Containment Split Butterfly Valve
 - Exposure < 1 $\mu\text{g}/\text{m}^3$
 - cGMP & EHEDG
 - Manual or automatic
 - ATEX
 - Silicone seal
 - Test unit available

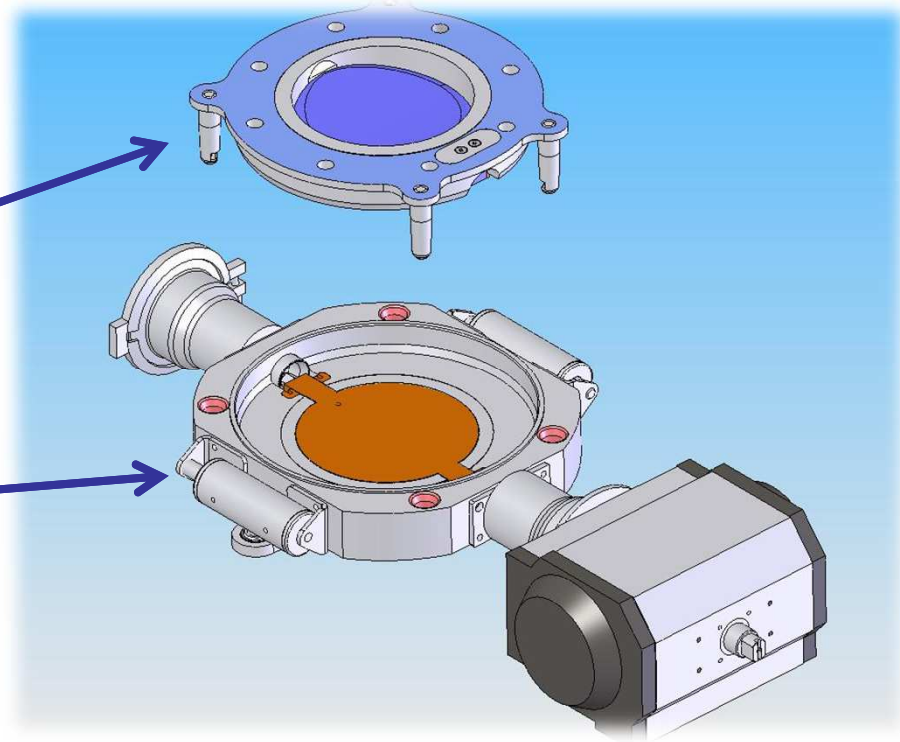


STERI SPLIT

- Docking Phase

Passive valve

Active valve

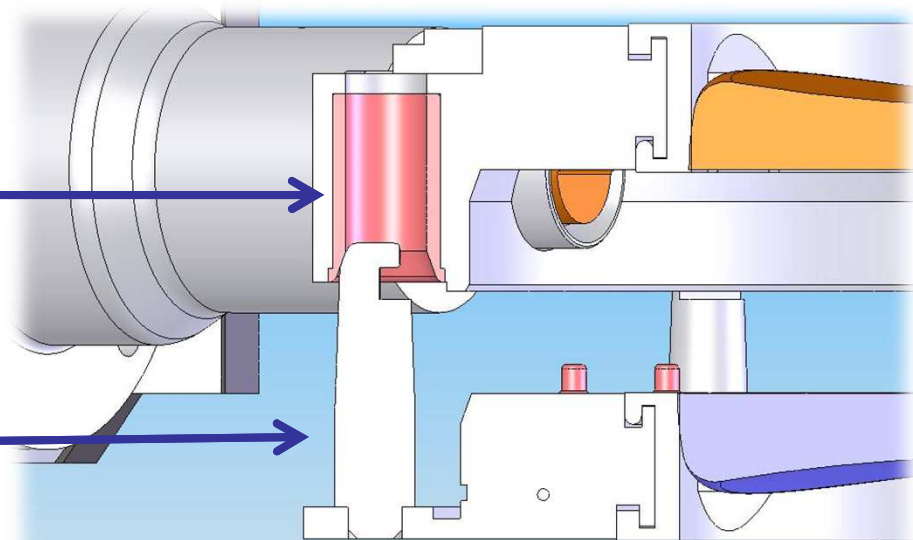


STERI SPLIT

- Docking Phase

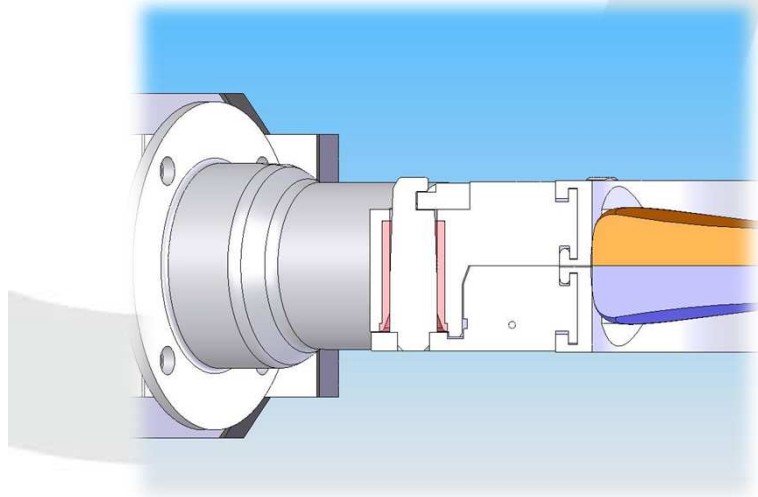
Locking Slot

Locking Pin

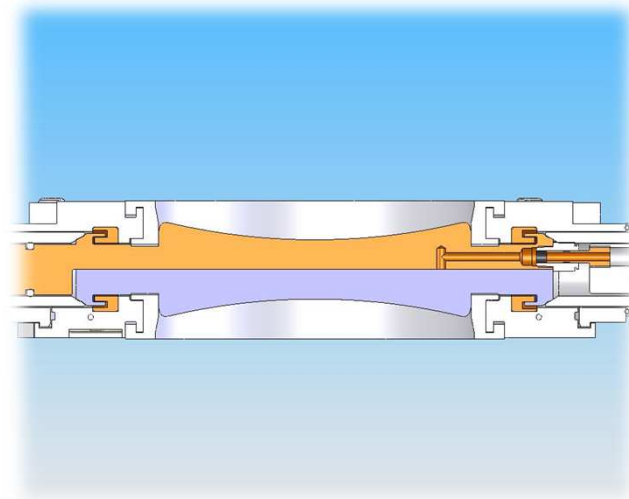


STERI SPLIT

Locked Position



Safety Cones



STERI SPLIT



CERTIFICATE OF CONFORMANCE

When tested as a 'Single Point Transfer System' in accordance with Protocol No.1 of the International Society of Pharmaceutical Engineering (ISPE) Standardised Measurement for Equipment Particulate Airborne Concentration (SMEPAC) Good Practice Guide 'Assessing the Particulate Containment Performance of Pharmaceutical Equipment', the equipment (as detailed below) achieved to the following containment performance:

Manufacturer: SteriValve srl, Lucca, Italy
Equipment: SteriSplit Automated ND100 Split Butterfly Valve
Containment Achieved: 0.37 $\mu\text{g.m}^{-3}$

*The displayed value relates to personal exposure data and is the 95% Upper Confidence Limit of the dataset.
For information; the Geometric Mean of the results was 0.057 $\mu\text{g.m}^{-3}$ and the number of samples was 3.*

Vega Report/ Project No.: ENV/08/2117
Date of Test: 21 May 2008
Location of Test: Extract Technology Ltd, Huddersfield, England

Vega Environmental Consultants Ltd, Church Buildings, Station Road, Seaton Delaval, Whitley Bay, Tyne & Wear, United Kingdom, NE25 0PT.
Tel. +44 191 298 0198 Fax. +44 191 298 0199 Website: www.vegacc.co.uk

Authorised Signatory:

A handwritten signature in black ink, appearing to read "D. Smith", is written over a horizontal line.

Duncan George Smith BSc (Hons) CertOH LFOH

Licentiate of the BOHS Faculty of Occupational Hygiene



STERIVALVES
Process Advantage

STERI SPLIT

DN	MANUAL	AUTOMATIC
50	✓	
100	✓	✓
150	✓	✓
200		✓
250		✓



STERI SPLIT



- Different level of automation
- Flexible solutions



CONTACT INFORMATION

- **SteriValves Srl**

Via Enrico Mattei, 293/N
55100 Lucca, Italy

T: +39 0583 440 560

F: +39 0583 440 559

E: info@sterivalves.eu

W: www.sterivalves.eu

