

STERIVALVES

Dosing Valves

Alessandro Puliero

Area Sales Manager



SPECIAL VALVES

- ROTODOSER
- ROTOSPHERE
- ROTOVALVE HEAVY



ROTODOSER

- Accurate Dosing Valve:
 - Double concentric rotors individually operated
 - Dosing accuracy customized
 - cGMP & EHEDG
 - CIP & SIP
 - Automatic actuated
 - ATEX
 - Silicone, EPDM or FKM gasket



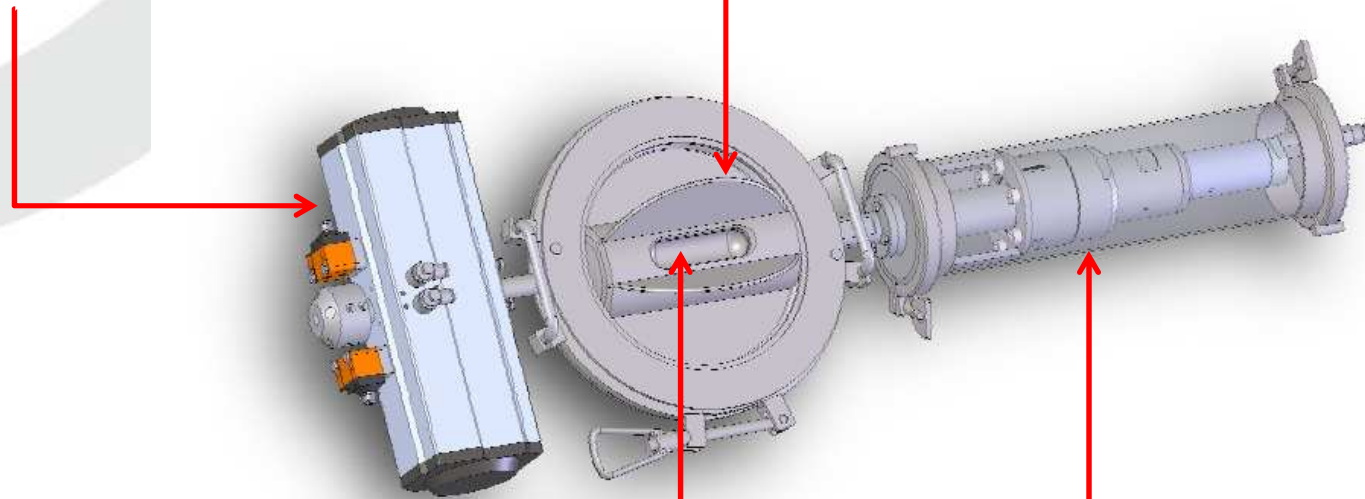
ROTODOSER



DN	MANUAL	AUTOMATIC
50		✓
100		✓
150		✓
200		✓
250		✓
300		✓

ROTODOSER

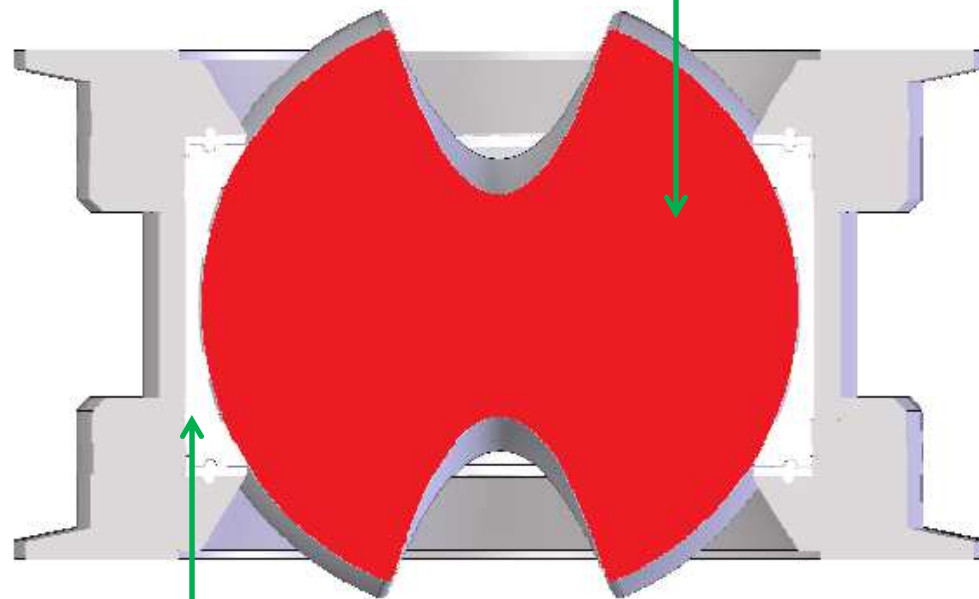
- Main Rotor
- Main Rotor Actuator



- Secondary Rotor
- Secondary Rotor gear motor

ROTOSPHERE

- Rotor in stainless steel AISI 316 or Ertalyte



- PTFE seals



ROTOSPHERE

- Dosing Valve:
 - Constant tightness during every discharging stage
 - Customizable dosing accuracy
 - cGMP & EHEDG
 - Automatic actuated
 - ATEX
 - PTFE gasket



ROTOSPHERE

DN	MANUAL	AUTOMATIC
50		
100		✓
150		✓
200		
250		



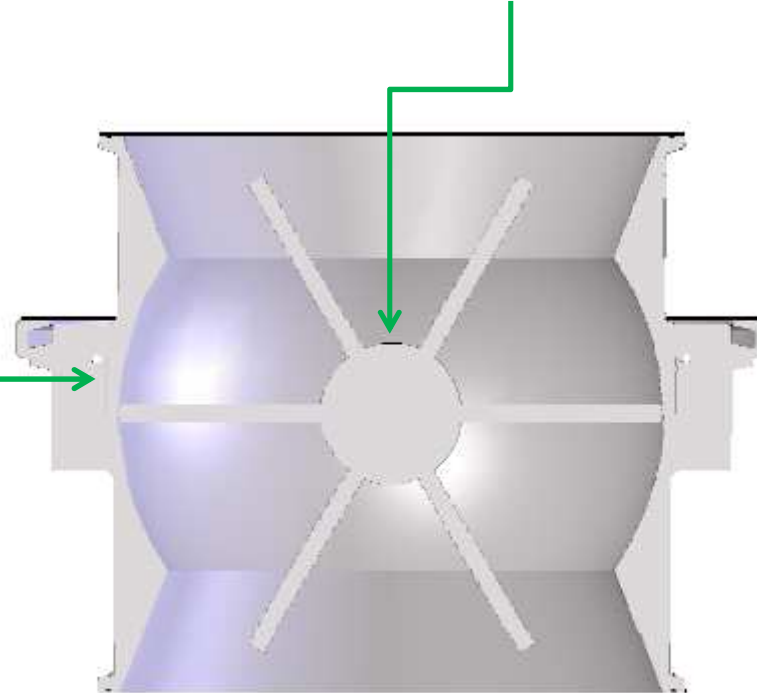
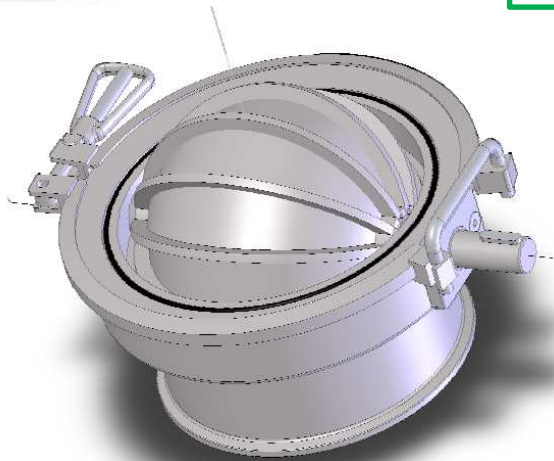
ROTOVALVE HEAVY

- Feeding Valve:
 - Volumetric dosing
 - Number of blades and volume of pockets could be customized
 - cGMP & EHEDG
 - Automatic actuated
 - ATEX
 - Labyrinth sealing



ROTOVALVE HEAVY

- Rotor in stainless steel AISI 316
- Labyrinth seal



ROTOVALVE HEAVY



DN	MANUAL	AUTOMATIC
50	✓	✓
100	✓	✓
150	✓	✓
200		✓
250		✓
300		✓

CERTIFICATIONS & SERVICES

- FDA CONFORMITY



- ISO 9001

- GMP



- ATEX



CONTACT INFORMATION

- **SteriValves Srl**

Via Enrico Mattei, 293/N
55100 Lucca, Italy

T: +39 0583 440 560

F: +39 0583 440 559

E: info@sterivalves.eu

W: www.sterivalves.eu

