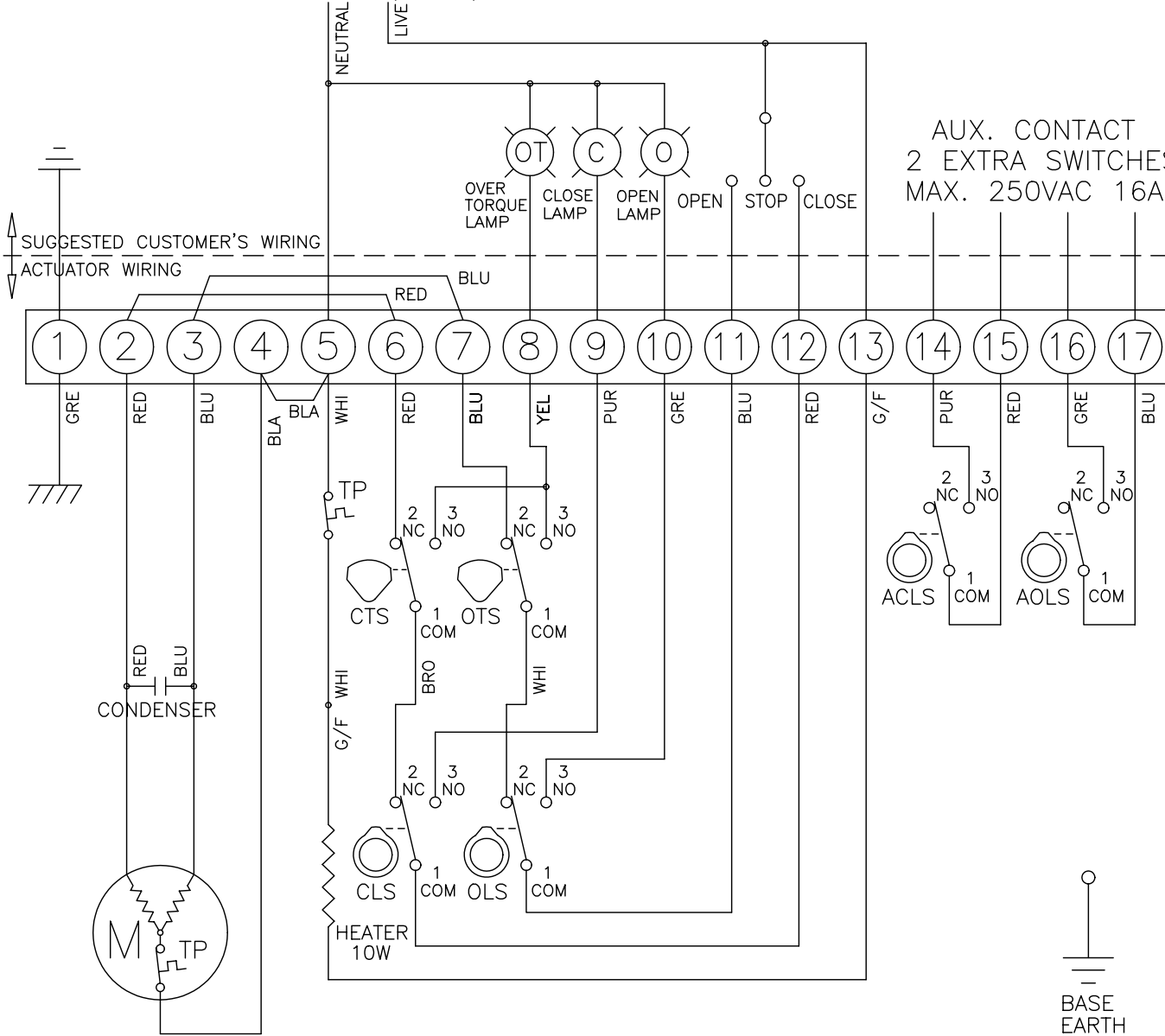
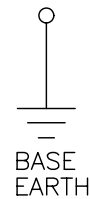
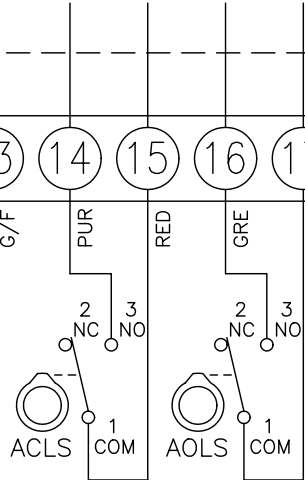


INCOMING POWER
AC 1PH (V)




AUX. CONTACT
2 EXTRA SWITCHES
MAX. 250VAC 16A



TORQUE AND LIMIT SWITCH OPERATION

SWITCH	CLOSE ←	INTERMEDIATE	→ OPEN
CLS 1-2		█	█
CLS 1-3	█		
OLS 1-2		█	█
OLS 1-3	█		
ACLS 1-2		█	█
ACLS 1-3	█		
AOLS 1-2		█	█
AOLS 1-3	█		
CTS 1-3	* CLOSING TORQUE SWITCH INTERRUPTS CONTROL IF MECHANICAL OVERLOAD OCCURS DURING CLOSING CYCLE		
OTS 1-3	* OPENING TORQUE SWITCH INTERRUPTS CONTROL IF MECHANICAL OVERLOAD OCCURS DURING OPENING CYCLE		
SYMBOL	DESCRIPTION		RATING
CLS	CLOSE LIMIT SWITCH		250VAC 10A
OLS	OPEN LIMIT SWITCH		250VAC 10A
CTS	CLOSE TORQUE SWITCH		250VAC 10A
OTS	OPEN TORQUE SWITCH		250VAC 10A
ACLS	AUX. CLOSE LIMIT SWITCH		250VAC 16A
AOLS	AUX. OPEN LIMIT SWITCH		250VAC 16A
TP	THERMAL PROTECTOR		250VAC 15A

*EACH ACTUATOR SHOULD BE POWERED THROUGH IT'S OWN INDIVIDUAL SWITCH OR RELAY CONTACTS TO PREVENT CROSS FEED BETWEEN TWO OR MORE ACTUATORS.

HQ-300	1 PHASE WIRING DIAGRAM STANDARD	
HQ-200		
HQ-120		
HQ-080		
HQ-060		
HQ-050	DATE 10/5/2001	ISSUE REF: A
HQ-030	 RAM UNIVERSAL LTD. Unit 20 Cottage Lane Industrial Estate Broughton Astley Leicestershire United Kingdom, LE9 6TU T: +44 (0)1455 285428 F: +44 (0)1455 285404 W: ramuniversal.co.uk	
HQ-020		
HQ-015		
APPLICATION		