

## Installation, operation, and maintenance instructions for Flowrox PVG valves DN50 - 250



These instructions must be read carefully and understood prior to the installation, use, and servicing of this product.

## DISCLAIMER

ALL INTELLECTUAL PROPERTY RIGHTS TO THIS MANUAL ("MANUAL") BELONG TO FLOWROX OY ("FLOWROX") WHICH REMAINS THE SOLE OWNER OF THESE RIGHTS. OWNERSHIP OF THESE RIGHTS ARE NOT TRANSFERRED FROM FLOWROX TO ANYONE IN CONNECTION WITH THIS MANUAL. THIS MANUAL IS INTENDED TO BE USED ONLY BY FLOWROX'S CUSTOMER AND EXCLUSIVELY FOR THE PURPOSES OF THE AGREEMENT UNDER WHICH THIS MANUAL IS DELIVERED TO FLOWROX'S CUSTOMER. WITHOUT THE PRIOR WRITTEN EXPLICIT CONCENT FROM FLOWROX, NO PART OF THIS MANUAL SHALL BE USED, REPRODUCED, COPIED, TRANSLATED, CONVERTED, ADAPTED, STORED IN A RETRIEVAL SYSTEM, COMMUNICATED OR TRANSMITTED BY ANY MEANS, OR FOR ANY COMMERCIAL OR OTHER PURPOSES, INCLUDING, BUT NOT LIMITED TO, SALE, RESALE, LICENS, RENT OR LEASE.

THIS MANUAL PROVIDES INSTRUCTIONS TO CARRY OUT CERTAIN ACTIVITIES AND IS DESIGNED AND MEANT TO GUIDE AND ASSIST PROFESSIONAL AND PROPERLY TRAINED EXPERTS IN PERFORMING THEIR FUNCTIONS. EVERYONE MUST BECOME FAMILIAR WITH ALL INSTRUCTIONS IN THIS MANUAL BEFORE ANY INSTALLATION, USE, MAINTENANCE, REPAIR OR ANY OTHER ACTIONS OF THE RESPECTIVE GOODS AND/OR SERVICES WHICH THIS MANUAL APPLIES TO. ALL INSTRUCTIONS MUST BE FOLLOWED CAREFULLY. HOWEVER, OBSERVANCE OF ANY PART OF THE INSTRUCTIONS PRESENTED IN THIS MANUAL MAY BE OMITTED IN EVENT WHEN IT IS REQUIRED OR ALLOWED BY LAW

FLOWROX HAS TAKEN EVERY CARE IN THE PREPARATION OF THE CONTENT OF THIS MANUAL, BUT DOES NOT MAKE ANY REPRESENTATIONS, WARRANTIES OR GUARANTEES OR, EXPRESS OR IMPLIED, AS TO THE ACCURACY OR COMPLETENESS OF THIS MANUAL. ALL USERS MUST UNDERSTAND AND BE AWARE THAT UPDATES AND AMENDMENTS WILL BE MADE FROM TIME TO TIME TO THIS MANUAL. ALL USERS ARE OBLIGATED TO FIND OUT AND DETERMINE WHETHER THERE HAVE BEEN ANY APPLICABLE UPDATES OR AMENDMENTS TO THIS MANUAL. NEITHER FLOWROX NOR ANY OF ITS DIRECTORS, OFFICERS, EMPLOYEES, SUBCONTRACTORS, SUB-SUPPLIERS, REPRESENTATIVES OR AGENTS SHALL BE LIABLE IN CONTRACT, TORT OR IN ANY OTHER MANNER WHATSOEVER TO ANY PERSON FOR ANY LOSS, DAMAGE, INJURY, DEATH, LIABILITY, COST OR EXPENSE OF ANY NATURE, INCLUDING WITHOUT LIMITATION INDIRECT, INCIDENTAL, SPECIAL, CONSEQUENTIAL, PUNITIVE OR DIRECT DAMAGES AND/OR LOSSES ARISING OUT OF OR IN CONNECTION WITH THE CREATION, DELIVERY, POSSESSION AND/OR USE OF THIS MANUAL. HOWEVER, NOTHING IN THIS PARAGRAPH IS DEEMED TO EXCLUDE OR RESTRICT ANY LIABILITY WHICH CANNOT BY MANDATORY LAW BE EXCLUDED.

FLOWROX IS THE TRADEMARK OF FLOWROX OY REGISTERED IN FINLAND AND IN OTHER COUNTRIES. ALL OTHER TRADEMARKS, LOGOS, BRANDS AND MARKS DISPLAYED IN THIS MANUAL ARE PROPERTY OF THE RESPECTIVE OWNERS UNLESS STATED OTHERWISE.

Copyright © 2016 Flowrox Oy. All rights reserved.

## TABLE OF CONTENTS

<b>1</b>	<b>DIRECTIVE CONFORMANCE DECLARATIONS</b> .....	<b>4</b>
1.1	General safety instructions.....	5
<b>2</b>	<b>INTRODUCTION</b> .....	<b>6</b>
2.1	Applications and purpose of use .....	6
2.1.1	Restrictions on use for PVG valves.....	6
2.1.2	Using the valve in explosive conditions.....	6
2.2	General description .....	7
2.2.1	Principle of operation.....	7
2.2.2	Mechanical structure .....	8
2.3	Technical data.....	10
2.3.1	Product identification.....	10
2.3.2	Actuators .....	11
<b>3</b>	<b>TRANSPORTATION, STORAGE AND LIFTING</b> .....	<b>12</b>
<b>4</b>	<b>INSTALLATION</b> .....	<b>14</b>
4.1	General.....	14
4.2	Flow direction, support, and valve position.....	15
4.3	Valve installation .....	15
<b>5</b>	<b>OPERATION</b> .....	<b>17</b>
5.1	Commissioning and decommissioning .....	17
<b>6</b>	<b>MAINTENANCE</b> .....	<b>18</b>
6.1	General maintenance and checks .....	18
6.1.1	Scheduled maintenance .....	19
6.1.2	Spare parts.....	19
6.2	Changing the sleeve.....	20
6.2.1	Removing the sleeve .....	20
6.2.2	Installing the sleeve .....	22
6.3	Testing and adjusting valve stroke .....	25
6.3.1	Adjusting the pneumatic actuator stroke .....	25
6.4	Troubleshooting.....	29
Appendix A: Main dimensions of valves .....		30
Appendix B: Flowrox Oy Standard Conditions of Sale .....		31

# 1 DIRECTIVE CONFORMANCE DECLARATIONS

FLOWROX OY  
Marssitie 1  
P.O. Box 338  
FI-53101 Lappeenranta  
Finland  
Tel. +358 201 113 311

hereby declares that the **Flowrox PVG pinch valve** delivered  
complies with the following applicable regulations:

**Pressure Equipment Directive 97/23/EC (PED):**

Valve size DN 250 (PN 10) and smaller according to article 3, paragraph 3 (SEP), no CE marking for conformity with PED.

**European Union Machinery Directive 2006/42/EC and**

**Finnish Government Decree on Machine Safety, 400/2008, Machine Decree (koneasetus):**

Annex IIB “partly complete machine”. No conformity with directive when valve is actuated manually.

**Atex Directive 94/9/EC:**

Conformity to directive declared only if Ex and CE are marked on valve nameplate. In that case a separate Atex declaration is supplied.

Do not operate valve before conformity to machine directive 2006/42/EC has been declared for the complete machine (pipeline) to what the valve is installed as a partly complete machine. Follow the valve installation instructions in this manual. Conformance declarations for accessories (solenoid valve, limit switches etc.) and actuators are supplied separately in component documentation. Risk analysis responsible employee at Flowrox Oy is Jarmo Partanen.

On behalf of Flowrox Oy  
In Lappeenranta, 1 September 2015






Jukka Koskela  
President and CEO

## 1.1 General safety instructions

The symbols in Table 1 are used in this manual to highlight the parts requiring particular attention.

Table 1. Warning and safety signs.

Symbol	Description
	<p><b>Risk to personal safety:</b> Neglecting the safety measures can cause serious injury or death.</p>
	<p><b>Machinery or environmental risk:</b> Incorrect maintenance or operation of the product can harm the environment or the product.</p>
	<p><b>Read the operation and maintenance instructions:</b> Read and understand the operation and maintenance instructions before using the product.</p>

Prevent accidents and ensure the valve's appropriate operation by complying with the installation, safety, and maintenance instructions in this manual. Installation and maintenance of the valve must be carried out by persons with appropriate training. Electrical installation work of the actuator must be performed by a qualified electrician.

Access to the IOM-manual must be guaranteed at all times at the place of operation of the valve. It is required to observe the IOM-manual in all work tasks for the valve.

Use personal protective equipment when performing any checks or maintenance operation for the valve (goggles, helmet, clothing and gloves). Always follow the factory safety regulations.

In case of any discrepancies between translations, the English version shall prevail.

## 2 INTRODUCTION

### 2.1 Applications and purpose of use

Flowrox PVG is made for processes involving pressure resistance, abrasion, corrosion and aggressive slurries. In open position, the PVG valve is at full bore with no flow restrictions.

The core of the PVG valve is an elastic sleeve, which is the only part in contact with the process medium. Designed to withstand wear, corrosion and chemicals, Flowrox sleeves guarantee non-clogging, trouble free operation and extended lifetime. The sleeves are bubble tight and easily replaceable if necessary.

#### 2.1.1 Restrictions on use for PVG valves

The valve temperature and pressure range must not be exceeded. The temperature ranges are given in Table 2 for standard sleeve materials. Check the pressure class from the valve type plate. Do not use higher pipeline pressure than rated for the valve.

Table 2. Temperature ranges for PVG valves.

Sleeve material	SBRT	EPDM
Min valve operating temperature (°C)	-40	-40
Max valve operating temperature (°C)	+110	+120

#### 2.1.2 Using the valve in explosive conditions

This valve type is not designed for Ex-areas.

For use in explosive conditions the valve must have the required Ex-classification and the grounding cables must be connected to earth. Check actuator, solenoid valve, and limit switch documentation for more information about operation in explosive conditions.

## 2.2 General description

### 2.2.1 Principle of operation

Flowrox PVG valve is built with a cast body and a rubber sleeve as a standard structure. Removable sleeve means no metal parts are in contact with the process medium.

In the open position the valve provides full bore through which the medium can travel. There are some structural differences between valve sizes, but the main components are shown in Figure 1.

Closing the valve forces the actuator side of the sleeve progressively towards the other side until it reaches the fully closed position. When the valve is fully closed, the sleeve is squeezed between the pusher on actuator and valve body, effectively sealing and completely containing the line pressure.

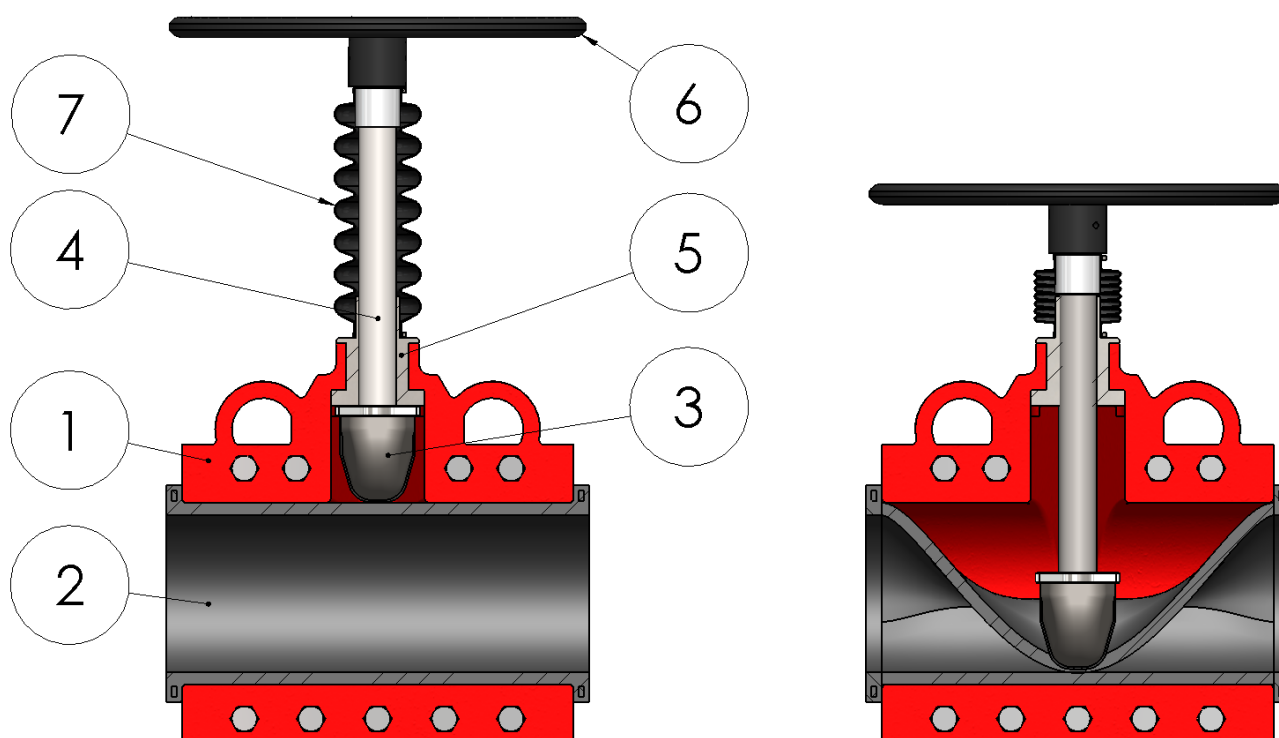


Figure 1. Main components of PVG valve with manual actuator.

Part	Description	Part	Description
1	Body	5	Threaded bushing
2	Sleeve	6	Hand Wheel
3	Pusher	7	Bellows
4	Stem		



The valve must not be used to throttle the flow as this will lead to premature failure of the sleeve.

This valve is intended for on-off operation only.

## 2.2.2 Mechanical structure

The alternative actuators are displayed in Figure 2.

An exploded view of PVG valve with manual actuator is shown in Figure 3 and valve part list in Table 4.

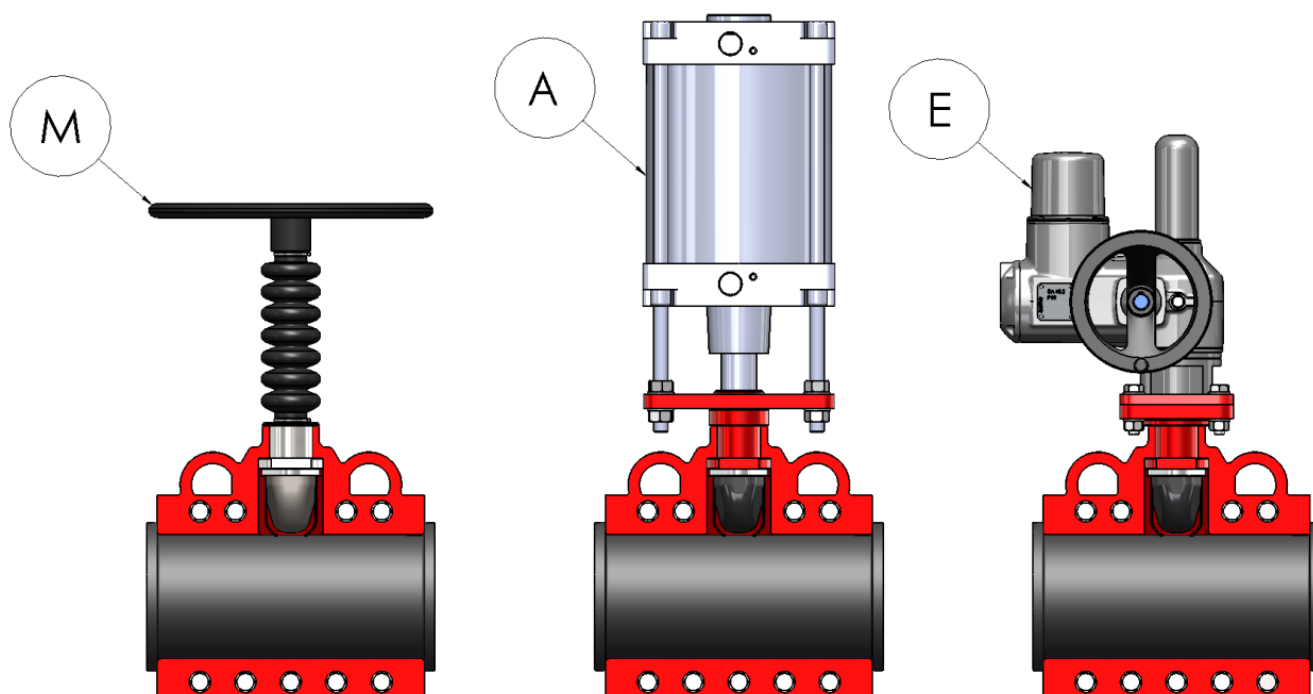


Figure 2. Alternative actuators.

Table 3. PVG valve actuator options.

Part	Description
M	Manual actuator
A	Pneumatic actuator
E	Electric actuator

Table 4. Part list of PVG valve with manual actuator.

Part	Description	Part	Description
1	Valve body	9	Cable tie
2	Sleeve	10	Bellows
3	Pusher	11	Washer
4	Stem	12	Hex screw
5	Pusher plate	13	Nut
6	Hex socket screw	14	Hand wheel
7	Thread bushing	15	Keen pin
8	Bellows bushing		

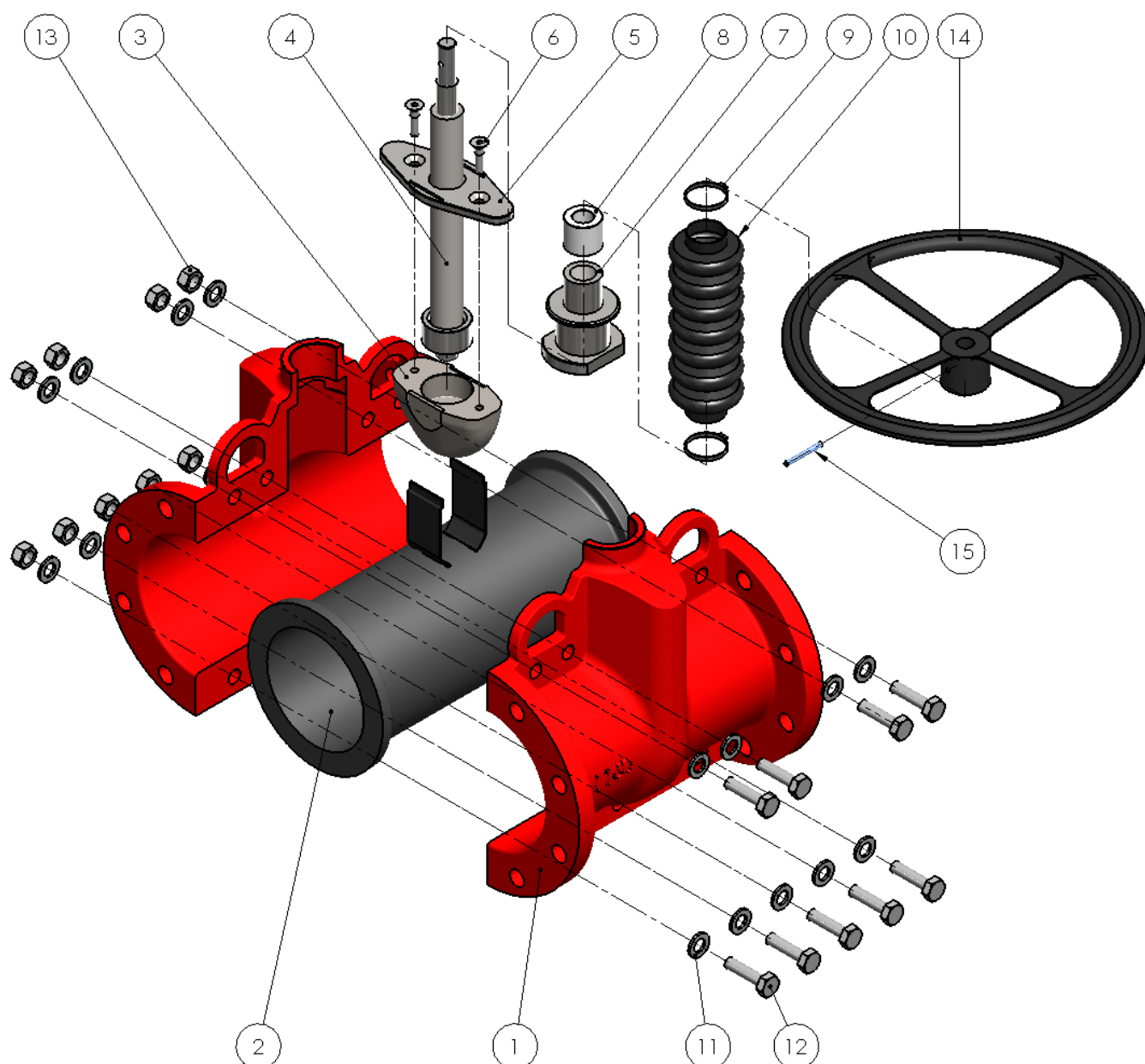


Figure 3. Exploded view of PVG valve with manual actuator.

## 2.3 Technical data

### 2.3.1 Product identification

Flowrox valve type plate is shown in Figure 4.



1. Valve type (see Table 5)
2. Serial number (year, order number, series size, individual valve number)
3. Customer tag number etc.
4. Nominal diameter, pressure class

Figure 4. Example of valve type plate.

Table 5. PVG valve model key table.

Type	Size (DN)	Actuator	Pressure class (PN)	-	Flange drilling	Body material	-	Sleeve material	-	Auxiliaries
PVG = Flowrox Pinch valve	50-250	M = manual A = pneumatic E = electric	4 = 4 bar 6 = 6 bar 10 = 10 bar		2 = DIN PN10 6 = ANSI150 9 = other	0 = Cast iron		SBRT = Styrene Butadiene rubber EPDM = ethylene propylene diene monomer		Z1 = solenoid valve, 24V DC Z2 = solenoid valve, 220V, 50/60 Hz Z3 = solenoid valve, 110V, 50/60 Hz

Example: PVG150M10-20-SBRT

The main dimensions and weight are given in Appendix A: Main dimensions of valves.

## 2.3.2 Actuators

Standard actuators:

- Manual
- Pneumatic
- Electric

Manual valves are closed by turning the hand wheel clockwise.

Pneumatic actuators are with a fixed stroke and do not require external controls. The minimum supply pressure for pneumatically operated valves is 6 bars. Use correct sized pneumatic hoses to ensure sufficient air flow.

Air must be clean and dry and comply with ISO 8573-1:2001 Class 3.

Pneumatic actuator noise level may exceed 85 dB and it is recommended to use ear protectors when working near the valve.

Electric actuators have open/close limit switches preset at the factory. A separate instruction from the actuator manufacturer is always included in the shipment.


Please consult the manufacturer's instructions on actuator requirements or/and limitations. If actuator is changed or valve needs adjustment, follow the *Maintenance* instructions.

### 3 TRANSPORTATION, STORAGE AND LIFTING

Check and document any damages in the valve packages or valves. Contact the transportation company in case of damage. When new or unused valves are sitting idle for long periods, the following procedures should be complied with:

1. Prior to storage, thoroughly drain valves of any and all water.
2. Indoor storage is required. For unfavourable environment, cover the equipment with protective tarpaulin that will allow proper air circulation.
3. Protect the equipment from temperature and humidity extremes and exposure to excessive dust, moisture, vibration and sunlight.
4. It is preferred to store valves in the open position.
5. Avoid dirt and/or moisture contamination of the stem (threaded rod).
6. Ensure pneumatic cylinder actuators have appropriate pipe plugs installed in the respective supply ports to prevent contamination of the cylinders.
7. Protect valve sleeves from heat, sunlight and exposure to ozone.
8. Cover the flange openings.
9. Do not store any objects on top of the rubber sleeves.
10. Follow the actuator instructions for storage.
11. Before start-up clean the valve.

When storing used valves, wash the valve with fresh water and follow the steps above. For storage periods greater than 36 months, please contact Flowrox as the rubber parts need to be changed before use.

	Lifting equipment must be used for valves weighing over 25kg.
---	---

Lift the valves securely from the body (part 1 in *Mechanical structure*) and use existing lifting eyes when available. When lifting eyes are not available use soft straps to lift valve as shown in Figure 5. Valve lifting examples.

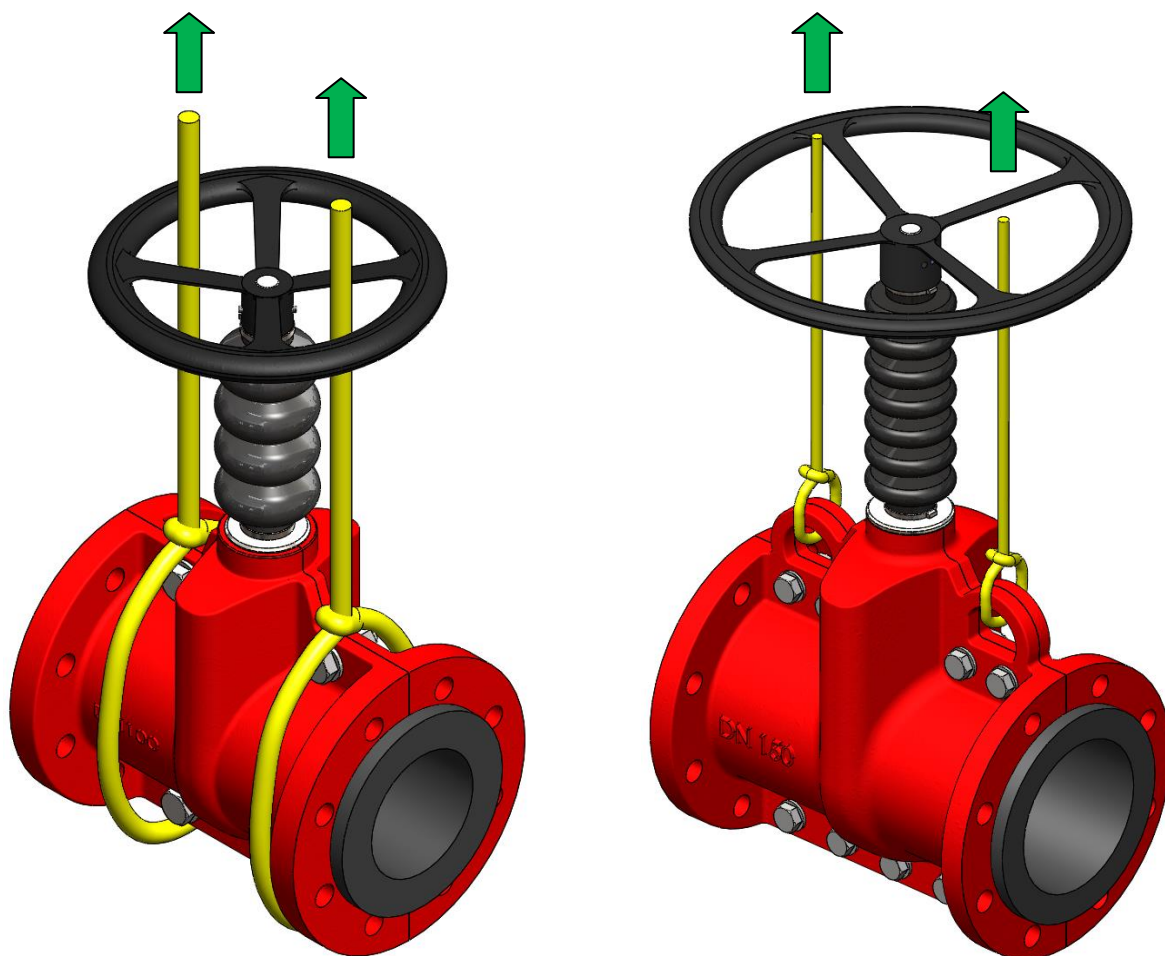





Figure 5. Valve lifting examples.

Do not attach lifting equipment to the valve bore or actuator as they can be damaged.

For valve dimensions and weight, refer to *Appendix A*.

## 4 INSTALLATION

	<p>Do not put your hands or fingers inside the sleeve when the valve cycles.</p>
	<p>Do not use higher pressure than rated for the valve. Higher pressures can cause serious damage to the valve or harm to operating personnel.</p>
	<p>Do not energize the actuator before the valve is properly attached to the pipeline.</p>

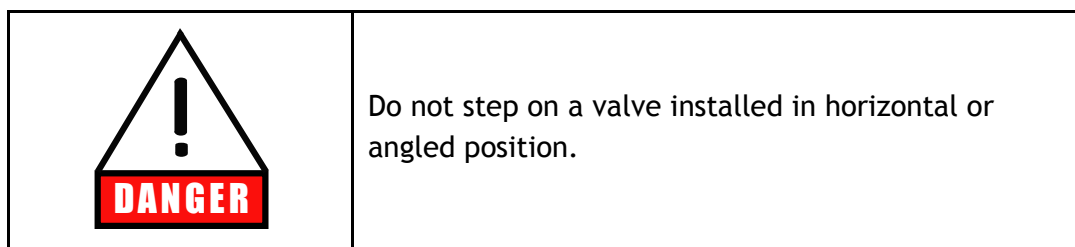
### 4.1 General

Flowrox valves are normally delivered fully assembled and ready for use. The valve can be installed either way in terms of flow direction. Only personnel with appropriate training are allowed to install the valves. If the valve is delivered without an actuator or accessories, they must be installed in accordance with the manufacturer's instructions.

Flowrox valves have connections with DIN or ANSI bolt drillings as standard design, but some other drillings are also available on request.

Reserve enough space for safe installation and maintenance. See *Appendix A* for valve dimensions.

## 4.2 Flow direction, support, and valve position



The valve does not have an intended flow direction; therefore it can be installed either way in the pipeline.

Proper pipe support must be placed on either side of the valve to support the weight. The valve must never be used to support the pipes.

The valve can be installed in any position.

## 4.3 Valve installation

At least the following must be ensured before valve installation:

- The pipeline is isolated from the process and there is no pressure in it.
  - The pipeline is empty, clean, and cooled down.
  - The pipeline flanges are parallel, concentric and with correct distance.
  - The flange connection bolts size is correct. Shown in Table 6. PN10 flange bolt nominal diameter and compression values for rubber sleeve flanges.
  - The valve is in OPEN position.
1. Disconnect automatic actuator from power supply if connected.
  2. Lift the valve on place with appropriate lifting equipment.
  3. Tighten the flange bolts evenly in a crosswise sequence as shown in Figure 7. Flange bolt tightening example.  
Recommended compression for the rubber sleeve flange is shown in Table 6. PN10 flange bolt nominal diameter and compression values for rubber sleeve flanges.
  4. Connect automatic actuator to power supply.
  5. Check that all connections have been fastened and the actuator is connected correctly.
  6. Run a few open/close cycles without pressure in pipeline. Refer to *Troubleshooting* if the valve does not operate smoothly or without extra force.

Table 6. PN10 flange bolt nominal diameter and compression values for rubber sleeve flanges.

Valve size (DN)	Recommended compression for rubber sleeve flange (mm)	DIN Bolt nominal diameter	ANSI150 Bolt nominal diameter
50	2-3	M16	5/8"-11 UNC
80	2-3	M16	5/8"-11 UNC
100	3-4	M16	5/8"-11 UNC
150	3-4	M20	3/4"-10 UNC
200	4-5	M20	3/4"-10 UNC
250	4-5	M20	7/8"-9 UNC

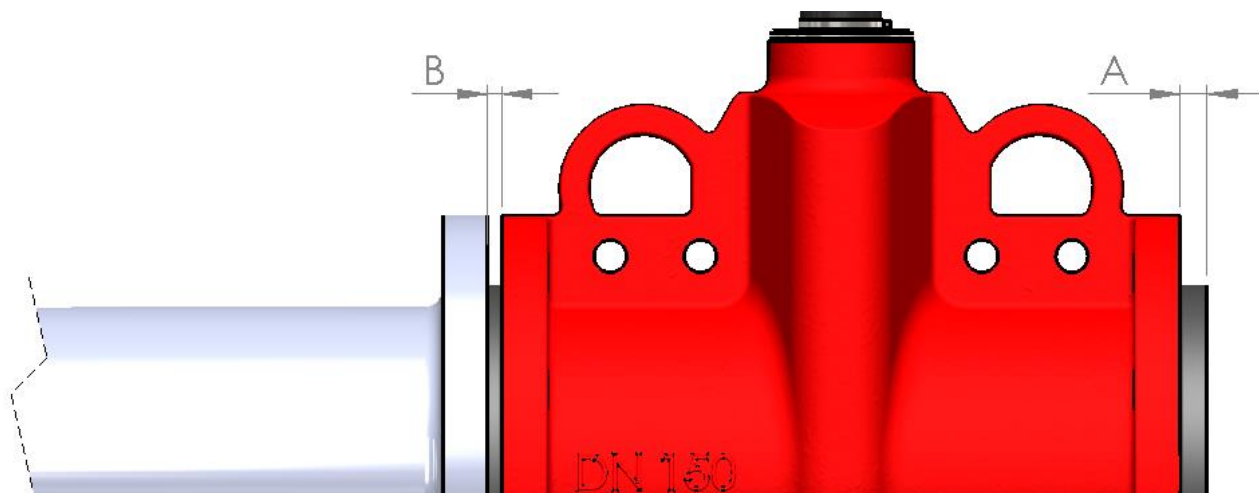


Figure 6. Compression of the sleeve rubber flange.

A = Uncompressed rubber sleeve flange [mm]

B = compressed rubber sleeve flange [mm]

→  $(A - B)$  = Recommended compression [mm], shown in Table 6. PN10 flange bolt nominal diameter and compression values for rubber sleeve flanges.

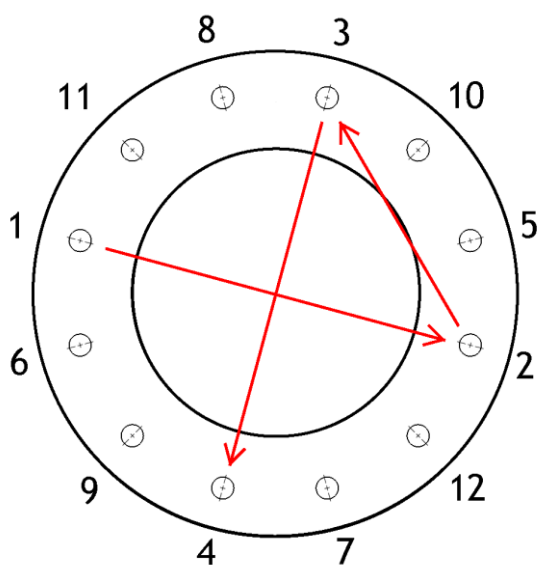


Figure 7. Flange bolt tightening example.

## 5 OPERATION

### 5.1 Commissioning and decommissioning

Before the valve is operated within the pipeline, ensure that it has been installed in accordance with this manual and applicable safety regulations.

The following must also be ensured:


- Parameters on the type plate are suitable for the process and environment
- The valve is used for the purpose specified at the time of sales
- Required accessories are installed if applicable
- Possible explosive conditions have been taken into account


When a valve is decommissioned, dispose the valve parts and electric/pneumatic devices (actuators) according to the local regulations and the instructions given by the part or device manufacturer.


Collect and dispose dangerous process media, so that people and environment are not endangered. Follow the local regulations.

## 6 MAINTENANCE

### 6.1 General maintenance and checks

	<p>Depressurise, empty and cool down the valve before any maintenance work. Valve surface can be hot. Isolate the valve completely from the process and follow the factory safety regulations.</p>
---	--

	<p>Crush hazard. De-energize actuators before maintenance.</p>
---	--

	<p>Do not step on a valve installed in horizontal or angled position.</p>
---	---

Only personnel with appropriate training are allowed to service the valves. For actuator service instructions consult the manufacturer's documentation supplied with the valve.

Check the condition of the valve regularly. When the valve is tight and it actuates flawlessly, periodic inspection is the only mandatory maintenance task. Do not neglect it as sleeves wear over time depending on conditions and process.

### 6.1.1 Scheduled maintenance

Include the valves in your factory maintenance program. Maintenance tasks and service intervals are offered as a guideline in Table 7. Schedules will vary with applications.

Table 7. Maintenance schedule.

Maintenance task	Frequency & advice
Do a leakage inspection	Regularly. Refer to <i>Troubleshooting</i> .
Run an open/close cycle	Suggested once a month for smooth and reliable operation.
Examine the valve for erosion and wear	Every six months.

For electric actuator maintenance schedule refer to manufacturer's instructions.

### 6.1.2 Spare parts

To ensure correct and quick delivery of spare parts, the order must contain at least the following information:

- Valve type number as in type plate (example: PVG150M10-20-SBRT)
- Spare part name and quantity (example: Sleeve, 1 piece)

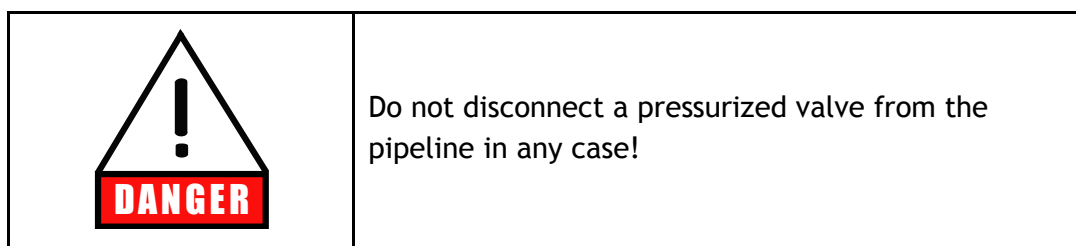
You can order the spare parts from Flowrox offices, distributors or agents. Contact information is available at <http://www.flowrox.com>

It is recommended to keep one sleeve as a spare part at your factory warehouse. For part numbers refer to *Mechanical structure*.

Information regarding wearing components that are not supplied as Flowrox spare parts are also in *Mechanical structure*.

## 6.2 Changing the sleeve

To change the sleeve, the valve needs to be removed from the pipeline. Refer to *Valve dismantling* if further service is required as well. Part numbers refer to *Mechanical structure*.



### 6.2.1 Removing the sleeve

1. Operate the valve to fully OPEN position.
2. Depressurise and drain the pipeline according to mill specific orders.
3. Disconnect automatic (electric or pneumatic) actuator from power supply to prevent injuries.
4. Remove the flange connection bolts and lift the valve to a suitable working surface. Use lifting equipment on valves weighing over 25kg.
5. Remove the valve body fasteners (parts 11-13) and lift both body halves (part 1) away.



Figure 8. Removing the valve body parts.

6. Loosen the pusher screws (part 6) to be able to release the opening tags on the sleeve.

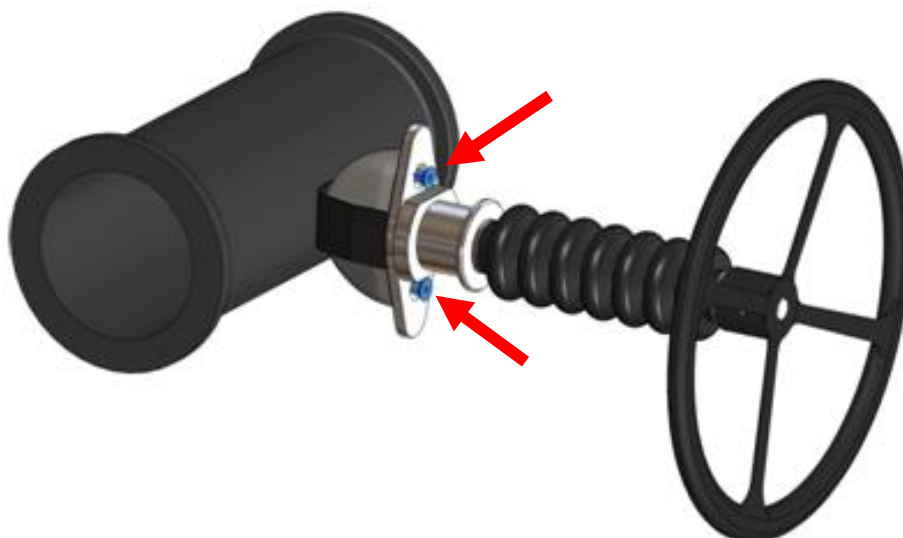


Figure 9. Releasing the opening tags.

7. Detach the sleeve (part 2) from the pusher (part 3).

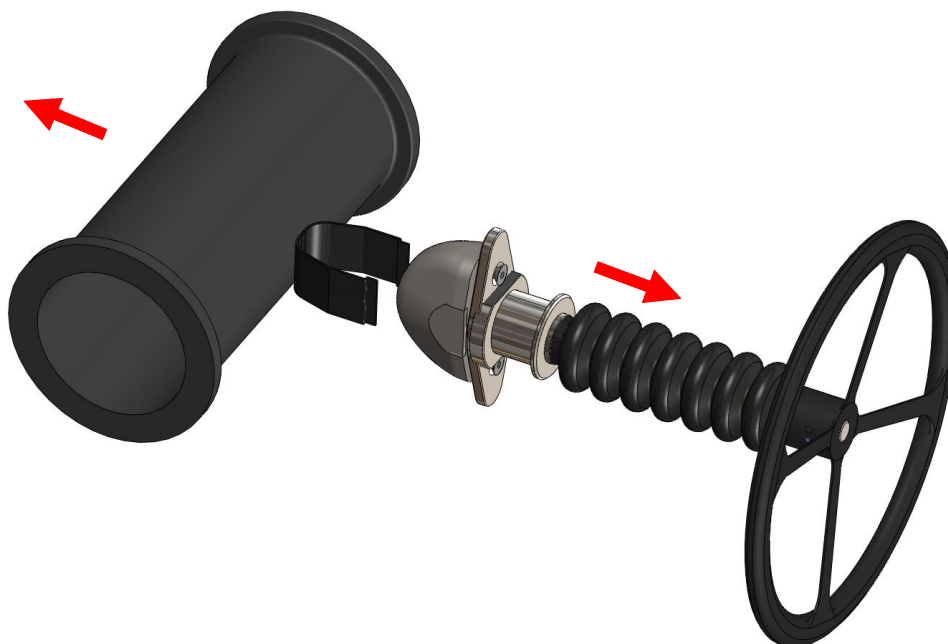


Figure 10. Removing the sleeve.

8. Inspect the body halves for visible damage.
9. Check if the pusher (part 3) is damaged and needs to be replaced.
10. Clean the valve body halves.

## 6.2.2 Installing the sleeve

Follow the general tightening torques in Table 8. General tightening torques (bolt class 8.8, lubrication MoS<sub>2</sub>), when specific tightening instructions are not given in this document or in other supplied documentation. Part numbers in these assembly instructions refer to *Mechanical structure*.

Table 8. General tightening torques (bolt class 8.8, lubrication MoS<sub>2</sub>).

Size	M6	M8	M10	M12	M16	M20	M24
Tightening torques Nm (ft-lbs)	7 (5)	17 (13)	33 (24)	57 (42)	140 (103)	282 (208)	499 (368)

1. Put some grease on the pusher (part 3) where the stem (part 4) will be attached. This is for valves with manual actuator only.

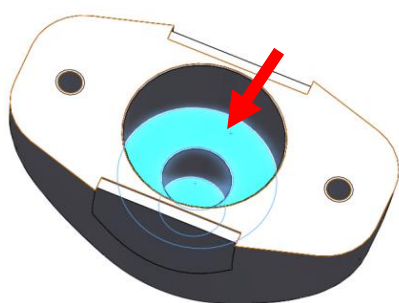


Figure 11. Lubricating the pusher.

2. Lubricate the thread on the stem (part 4) lightly in valves with manual or electrical actuator.
3. Start the reassembly by putting the pusher (part 3) tip against the sleeve (part 2), between the opening tags.

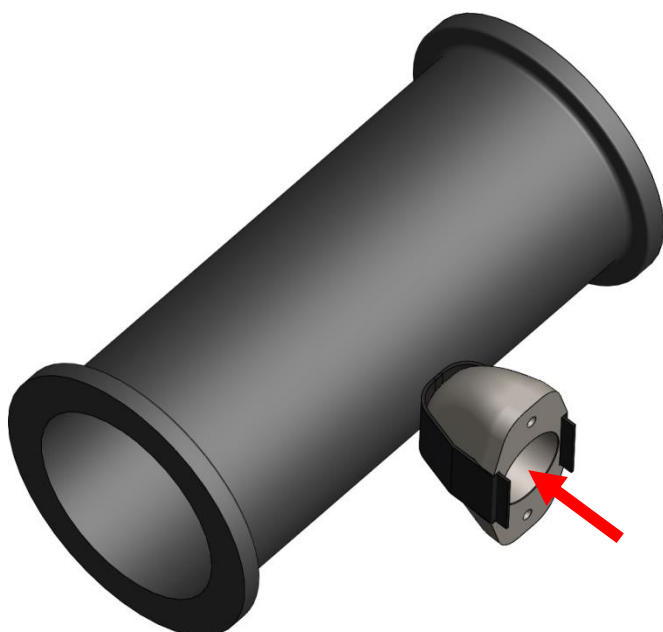
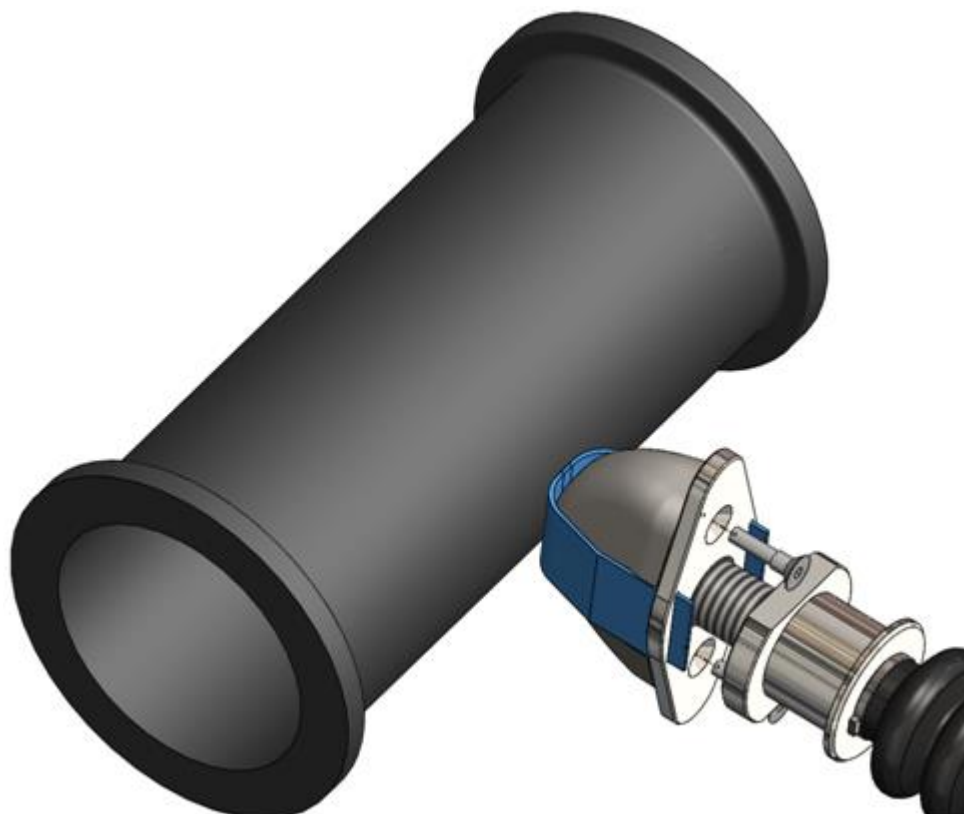


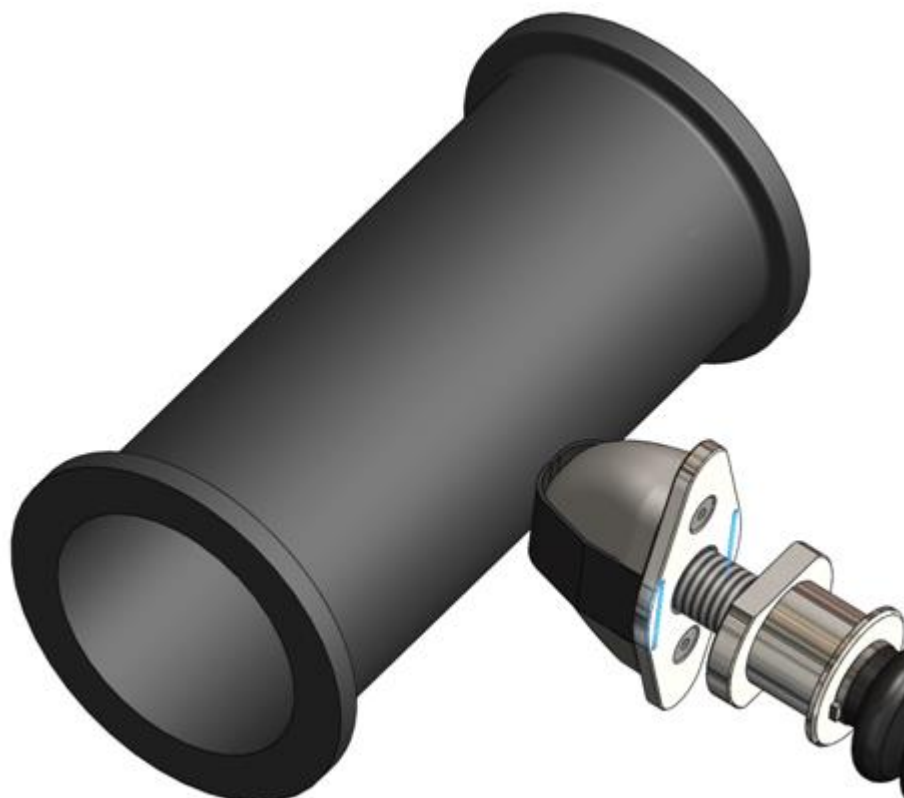
Figure 12. Installing the sleeve to the pusher.

4. Install the opening tags through the slots in the pusher plate (part 5).



*Figure 13. Installing the opening tags to pusher plate.*

5. Pull the opening tags finger tight and fasten the pusher plate with hex screws (part 6).
6. Check that the tags follow the shape of the pusher (part 3).
7. Cut away the extra length of the tags.



*Figure 14. Fastening the pusher plate screws.*

8. Lift the body halves (1) back and install the fasteners (parts 11-13).

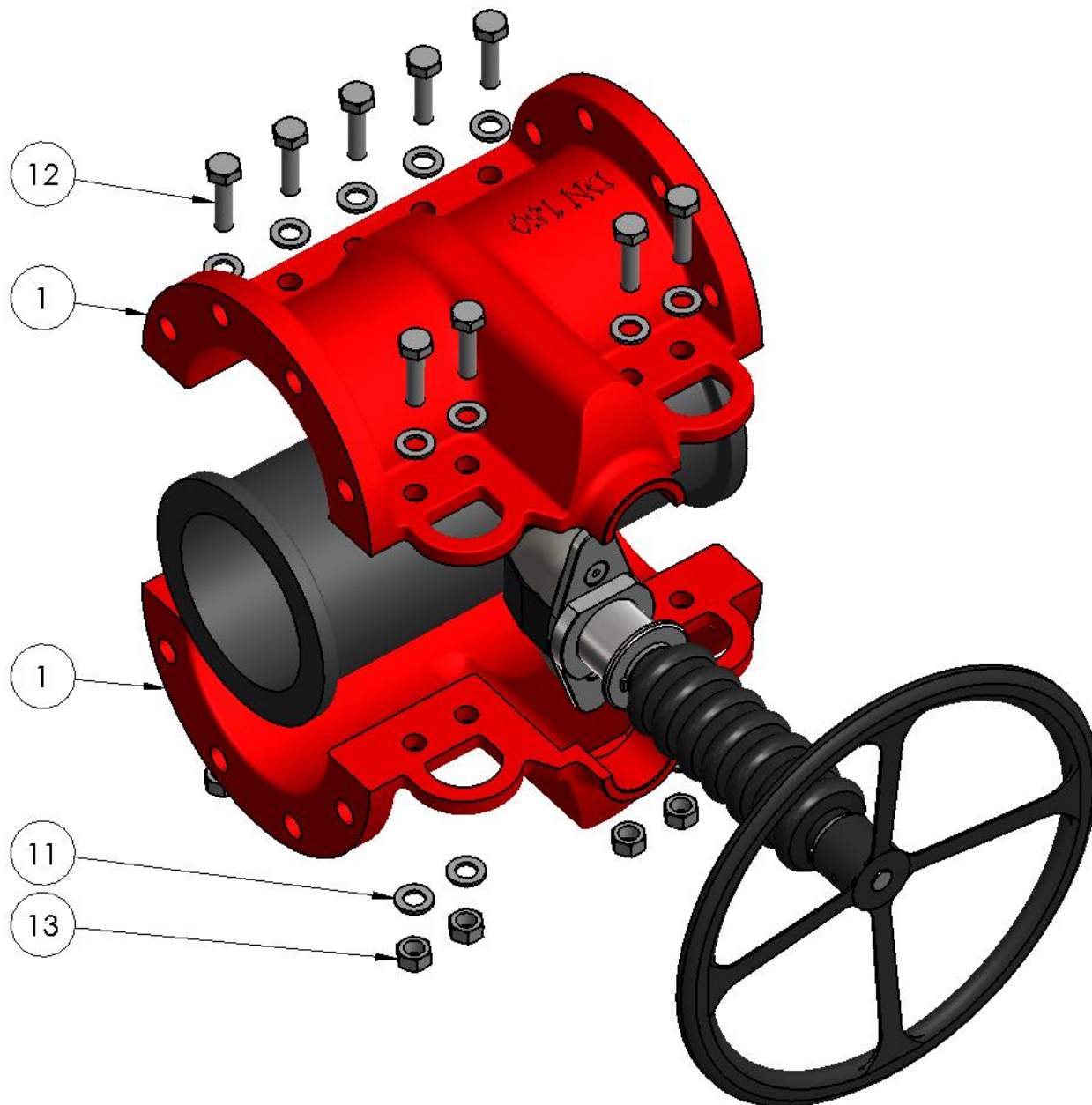
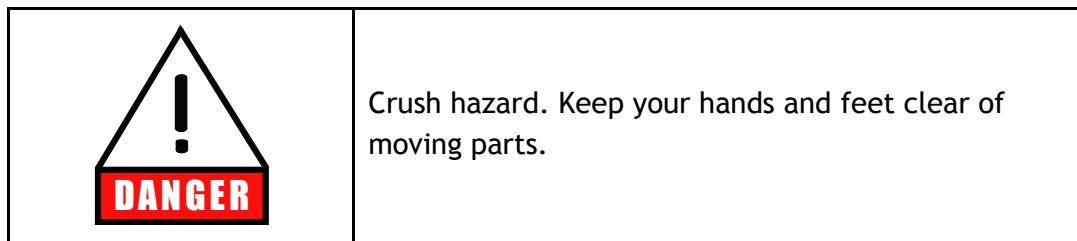


Figure 15. Fastening the body halves to the valve.

9. Leave the valve to OPEN position until it is installed and follow the *storage* instructions if the valve is placed in stock.

## 6.3 Testing and adjusting valve stroke

Only personnel with appropriate training are allowed to energize the valves. Check and adjust the valve stroke if you dismantle the valve or assemble a pneumatic actuator. This is not needed with manual actuators. Refer to the electrical actuator documentation for specific stroke adjustment instructions.



### 6.3.1 Adjusting the pneumatic actuator stroke

1. Assemble the valve according to the assembly instructions.
2. Loosen the actuator lower and upper fastener nuts.

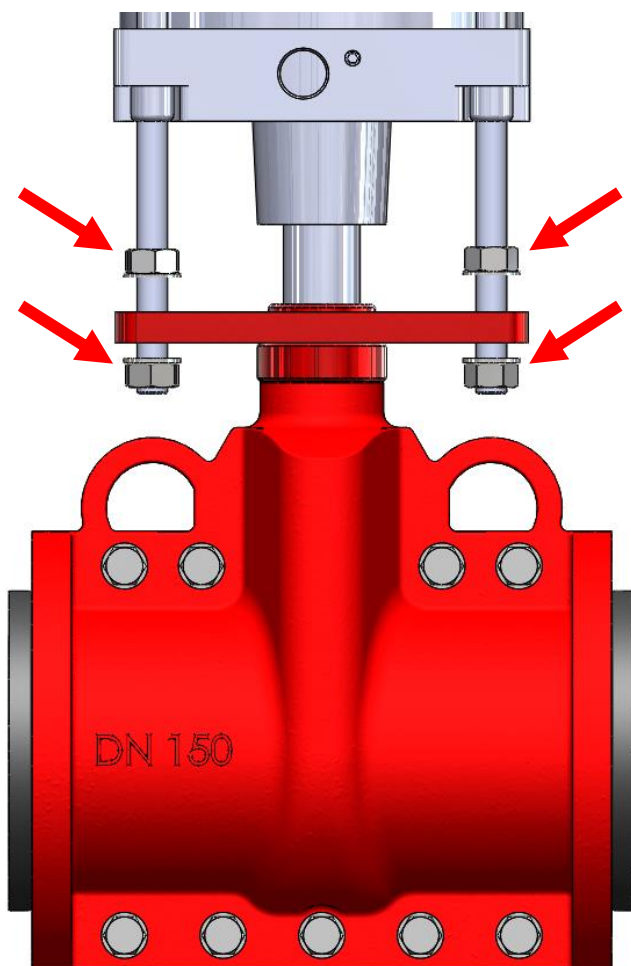


Figure 16. Pneumatic actuator lower and upper fastener nuts.

3. Connect the actuator to power source and stroke the valve to fully CLOSED position.

4. Tighten the lower actuator nuts (1) until strip of light disappears. If needed loosen the upper actuator nuts (2) to achieve this.

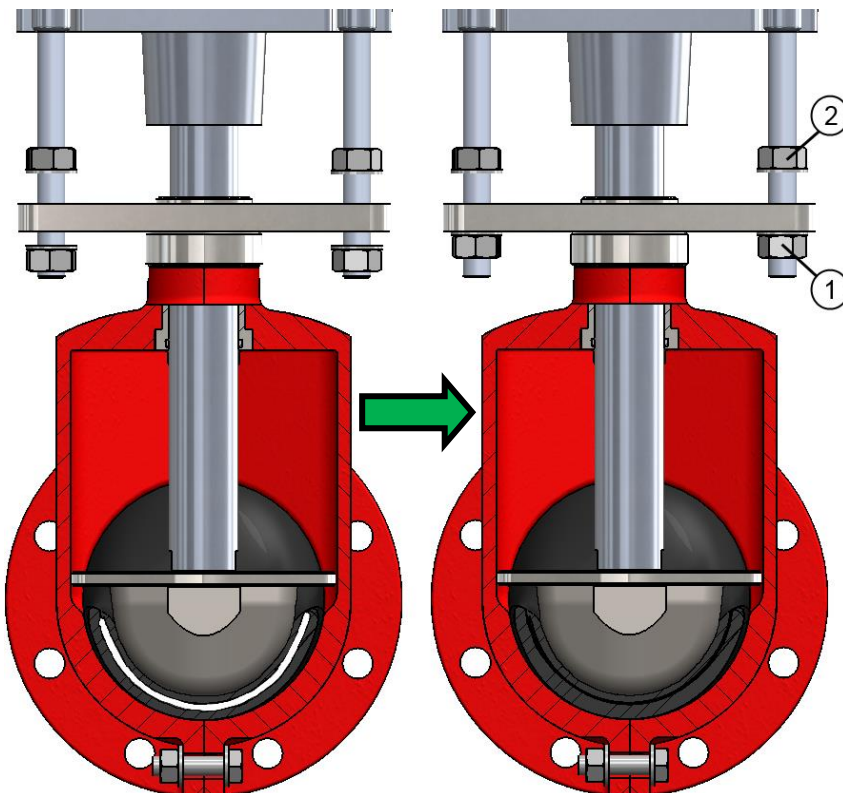


Figure 17. Stroke adjustment.

1 Lower nut

2 Upper nut

5. Measure the dimension Z from every corner to make sure the actuator is aligned straight.

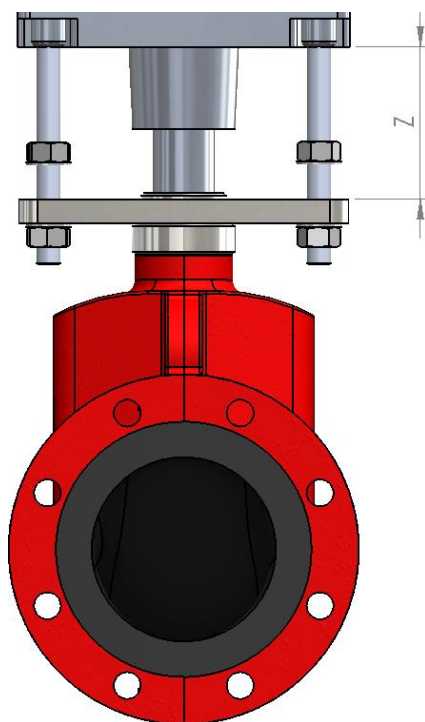


Figure 18. Checking actuator alignment.

6. Adjust the actuator upper nuts (2) to achieve the needed squeeze for the sleeve. Check the correct value for dimension A from the Table 9. Needed squeeze for the valve sleeves (dimension A on the Figure 19. Measuring the compression value.)

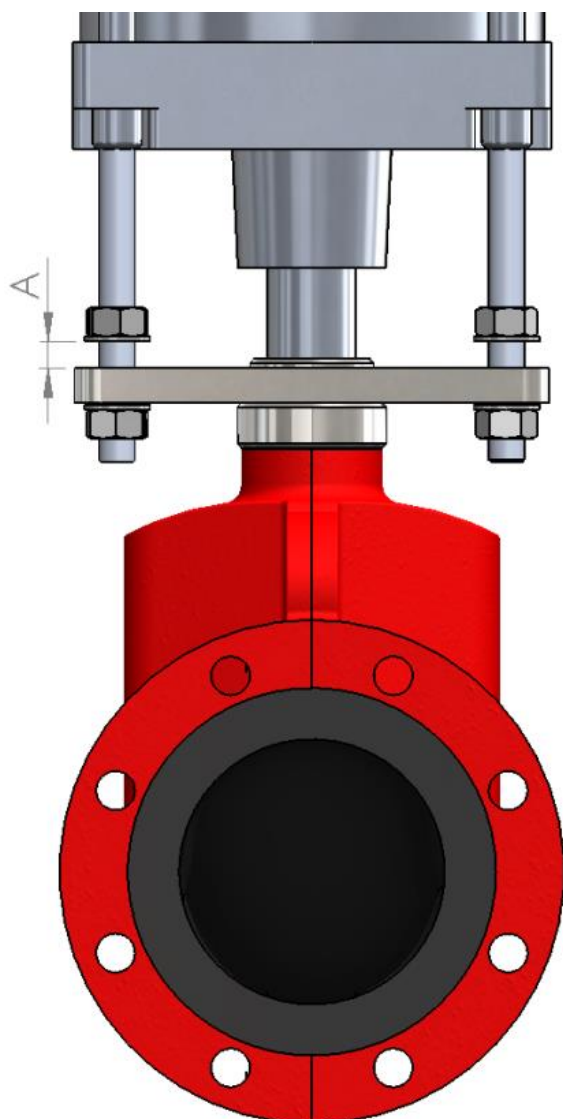


Figure 19. Measuring the compression value.

Table 9. Needed squeeze for the valve sleeves (dimension A on the Figure 19. Measuring the compression value.)

Valve size (DN)	50	80	100	150	200	250
Squeeze (mm)	3	3	4	4	5	5

7. Tighten the lower actuator nuts (1) until there's no gap between them and the attachment frame. Follow the torque given in Table 8. General tightening torques (bolt class 8.8, lubrication MoS<sub>2</sub>).

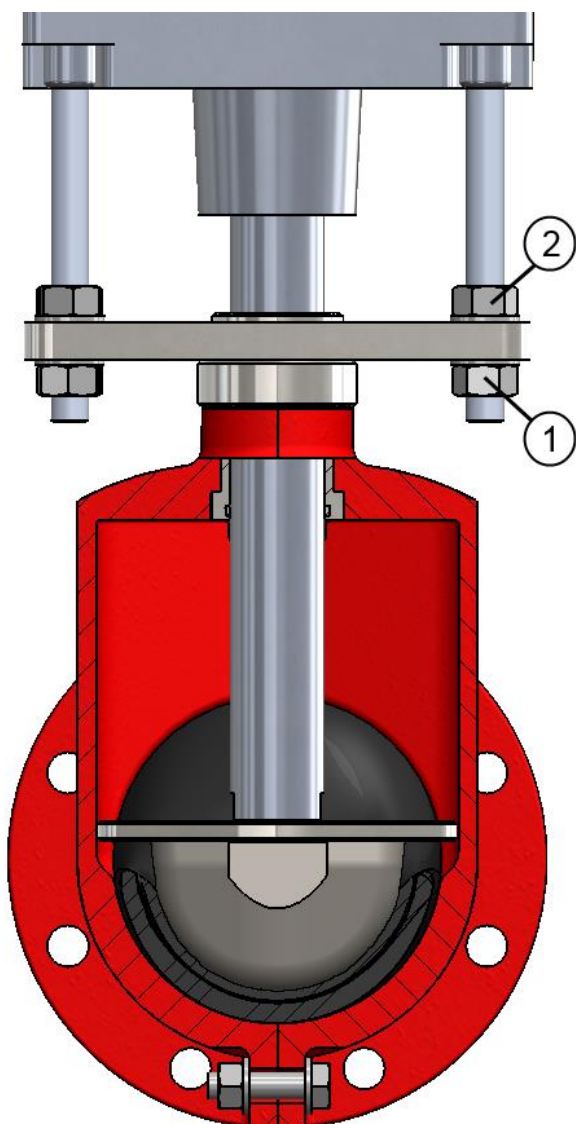


Figure 20. PVG valve with adjusted pneumatic actuator.

8. Test the adjustments by cycling the valve few times between OPEN and CLOSED position.
9. Leave the valve to OPEN position until it is installed and follow the storage instructions if the valve is placed in stock.

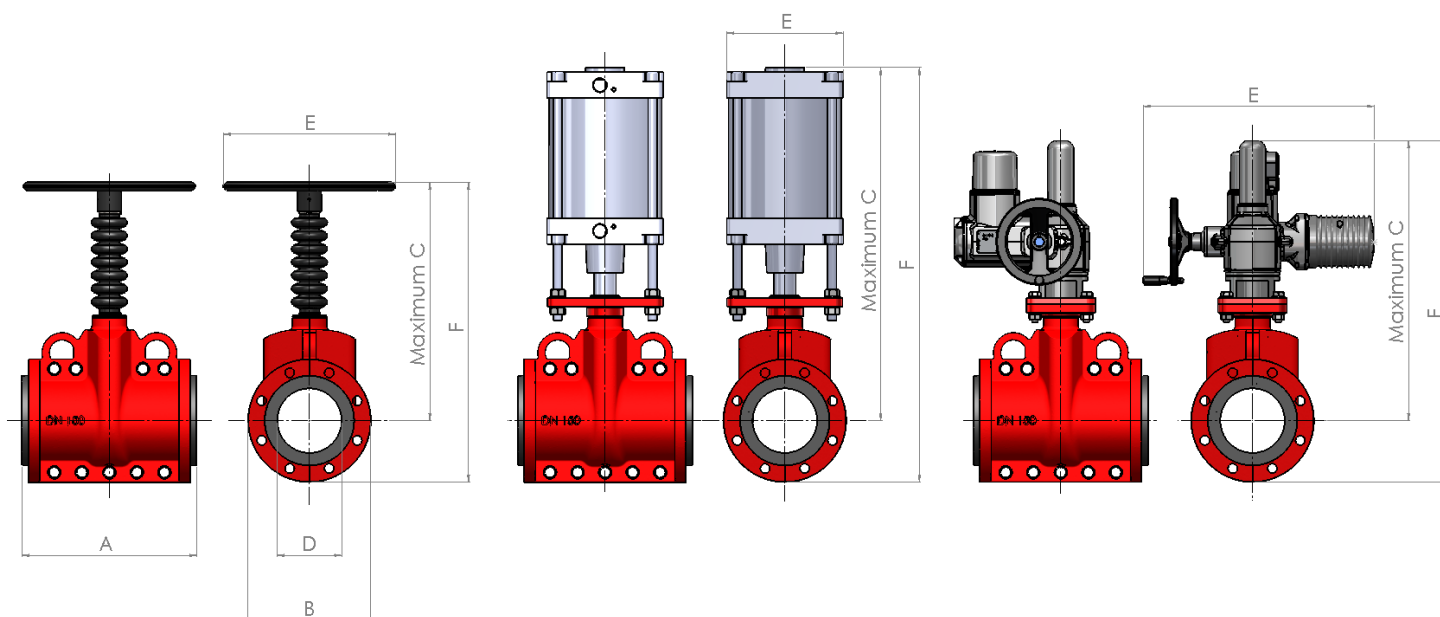
## 6.4 Troubleshooting

Table 10. Troubleshooting.

Problem	Possible reason	Action
Leakage from flange connection	Flange connection is loose	Tighten the flange connection bolts to correct torque
	Pipeline flanges and valve are misaligned	Check that the flanges are parallel and concentric with the valve
Sleeve lifetime is short	Damaged valve body	Check valve body for scrapes and sharp edges and change if damaged
	Unsuitable sleeve material for process	Check with Flowrox
	Damaged pusher	Check pusher for scrapes and sharp edges and change if damaged
Valve does not open/close or valve is not tight	Fault in actuator or control system	Check and fix actuator operation
	Too low pneumatic supply pressure	Fix air supply
	Damaged sleeve or pusher	Check and change damaged parts
Valve does not open/close smoothly	Insufficient lubrication	Lubricate the actuator.

\* Manually operated valves are actuated with normal hand force

## Appendix A: Main dimensions of valves



Valve size (DN)	A		C			D	E			F			Weight (kg)			Max Pressure (Bar)		
	M	A	M	A	E	M	A	E	M	A	E	M	A	E	M	A	E	
50	190	165	280	398	474	50	150	110	515	363	481	556	14	18	45	10	6	10
80	254	200	344	482	505	80	200	135	515	444	582	605	21	30	53	10	6	10
100	305	228	394	568	526	100	250	176	515	508	682	640	30	43	60	10	6	10
150	406	285	553	774	650	150	400	270	536	696	917	792	49	60	98	10	6	10
200	521	343	645	871	697	200	600	270	536	817	1043	868	96	141	144	6	4	6
250	635	406	785	1412	749	250	600	270	536	988	1615	952	140	215	188	6	4	6

M = manual, A = pneumatic, E = electric

Dimensions and weight are for guidance only - detailed drawings are available on request.  
All dimensions are in millimetres.

## Appendix B: Flowrox Oy Standard Conditions of Sale

### FLOWROX OY STANDARD CONDITIONS OF SALE v. 2014.09

The following terms and conditions form a part of each quotation or proposal (the PROPOSAL) submitted by Flowrox Oy ("FLOWROX") for the sale of equipment and services to a purchasing customer (the PURCHASER) and any contract made by and between the parties includes as a part thereof these terms and conditions.

**1. ACCEPTANCE.** If not otherwise stated in writing, this proposal shall lapse automatically upon the expiration of a period of 30 days after its date of submission set forth below unless it has been previously accepted by PURCHASER or revoked by FLOWROX. Such notice of revocation shall be deemed to have been given when mailed by certified mail, postage prepaid. This proposal shall become a binding contract, as accepted by PURCHASER, only when approved in writing hereon by FLOWROX.

**2. COMPLETION AND DELIVERY.** FLOWROX will make every effort to make delivery or complete the work within the time specified in the proposal, but FLOWROX shall not be liable for any loss or damage if delivery or completion is delayed as a result of causes of any kind beyond the reasonable control of FLOWROX, such as, but not limited to, strikes or other labour difficulties, war, riots, acts of governmental authorities, inclement weather, fire, flood, unavoidable casualties, delays in transportation of materials, or inability to obtain timely delivery of materials from suppliers. In the event of any such delay, it is agreed that the time for delivery or completion shall be extended for a period of time at least equal to the time lost by reason of the delay. If FLOWROX is responsible for the delay due to any other reason as mentioned above, the PURCHASER is entitled to the liquidated damages as defined below after two weeks from the date on which delivery should have taken place. The liquidated damages shall be payable at a rate of 0.5 percent of the value of the delayed part of the delivery for every whole delayed week. The liquidated damages shall not exceed 7.5 percent of the value of the delayed part of the delivery. The liquidated damages are the only compensations available to the PURCHASER in the case of delay on the part of FLOWROX. When the amount of the liquidated damages have reached the level of 7.5 percent, a delay in delivery or completion of work shall not give rise to cancellation by PURCHASER until thirty days after written notice of such intention to cancel shall have been actually received by FLOWROX and PURCHASER shall be obligated to accept any equipment shipped or delivered or work completed by FLOWROX for fulfilment of the delivery during such period.

Any claims by the PURCHASER for compensation due to delay in delivery or completion of work shall be waived unless made in writing and delivered to FLOWROX within five days after delivery or completion of work.

**3. WARRANTY.** FLOWROX provides an assurance to the PURCHASER that the equipment purchased is free from defects in material and workmanship under normal use and service for a period of twelve (12) months, such period to commence on the date of delivery provided however that the warranty period shall not extend longer than eighteen (18) months from the date of shipment of the material parts. Any part of the machinery supplied by FLOWROX, which is proven unfit for use owing to faulty workmanship or material will, within sole discretion of FLOWROX either be substituted

free of charge or repaired; the free substitution or repair being limited to parts only and excluding any work at PURCHASER's site. This warranty shall not cover any defects originating from ordinary wear and tear or molestation, from use of unsuitable lubricants, negligent attendance, faulty operation or adjustment, nor shall it be valid in case of working troubles (derangement) caused by errors on the part of the PURCHASER with respect to the suitability of the premises in which the plant is installed or other incorrect information, inadequate foundation works, defective protection against exterior influence or similar circumstances for which FLOWROX is not responsible. This warranty of material and workmanship is the only warranty or guarantee made by FLOWROX and FLOWROX disclaims any and all implied warranties of merchantability, fitness, suitability or performance.

**4. DAMAGES.** Under no circumstances, whether due to a breach of any warranty or guarantee hereunder or any other cause arising out of performance or non-performance of this proposal, shall FLOWROX be liable (1) for consequential or indirect loss or damage, including but not limited to, loss of profits, loss of production, plant down-time, or liabilities to customers or other third parties, or (2) for loss or damage arising out of the sole or contributory negligence of the PURCHASER, its employees and agents, or any third party, or (3) for any special or punitive damages of any nature. If FLOWROX incurs any liability towards a third party for any damage, the PURCHASER shall indemnify, defend and hold FLOWROX harmless. In respect of those legal regulations which cannot be derogated or due to any other grounds the maximum limit of responsibility on the part of FLOWROX for damages and losses of any sort and for whatever reason, resulting from or in any case connected with use and delivery of the Product, parts or services supplied by FLOWROX will consist of a credit for the amount of the total sum of a separate delivery.

**5. TAXES.** The price quoted in the proposal includes the Finnish taxes (excluding VAT) and other public duties in Finland, but the price is exclusive of all other taxes, duties, and levies of other countries including sales or use taxes, which may be payable in respect of the sale, purchase or use of the equipment or part furnished by FLOWROX. The payment of all such taxes and duties shall be the responsibility of the PURCHASER. If FLOWROX is required by applicable law to collect any such taxes from the PURCHASER, it may pay the same and add the amount thereof to its invoice. The PURCHASER will furnish FLOWROX with appropriate tax exemption certificates, if applicable.

**6. RISK OF LOSS.** The PURCHASER shall bear the risk of loss of or damage to the equipment in accordance with the agreed terms of Incoterms 2010. If no terms of Incoterms 2010 are agreed, the risk will pass according to the EXW FLOWROX's factory (Incoterms 2010). FLOWROX has the right to take out insurance for the delivery during the consignment and storage relating to the consignment.

**7. SECURITY INTEREST.** The delivery shall remain the property of FLOWROX until paid for it in full. Without waiving any rights to elect to proceed under applicable lien laws, FLOWROX reserves a security interest in the equipment furnished by it until the agreed price (including any notes therefor) has been fully paid in cash, and in the event of default in payment, FLOWROX shall have all rights of repossession and other rights available to a secured party under the laws applicable thereto. The PURCHASER agrees that no part of the equipment furnished under this proposal shall be considered a fixture of a part of any realty by reason



of its being attached to real estate, and any part may be separated from real estate for purpose of repossession by FLOWROX or by our agent without liability for such removal if the PURCHASER is in default in payment of the purchase money. The interest on overdue payment shall be eight (8) percent per annum over the current Marginal Lending Facility of European Central Bank.

**8. SOFTWARE.** Any computer programs ("Software") are supplied under these special license conditions superseding all conflicting terms and conditions as follows:

a) Subject to payment of the purchase price FLOWROX grants the PURCHASER a non-exclusive and nontransferable license to use the Software and its accompanying documentation only for the delivery supplied in accordance with the contract.

b) Unless otherwise explicitly permitted by mandatory law, the PURCHASER may not without prior written consent of FLOWROX:

i) copy the Software and its accompanying documentation;  
 ii) decompile, modify, translate, adapt or arrange the Software and its accompanying documentation, or create derivative works based on the Software and its accompanying documentation; and  
 iii) distribute, rent, loan, sell, sublicense or otherwise assign all or part of the Software and its accompanying documentation or any rights granted hereunder or later to any third person.

c) Within the warranty period FLOWROX warrants that the Software mainly provides services and functions generally described in the technical documentation and that the Software is free from defects in materials and workmanship under normal use. FLOWROX's only obligation shall be, at its option, to correct errors or to replace the defective Software. The warranty period for the Software is the same as the warranty period for such part of the delivery for which the Software is meant to be used and supplied under the contract.

Within the warranty period the PURCHASER shall meticulously maintain all data media including backups and accompanying documentation undamaged and fully available to FLOWROX. This warranty for the Software shall be null and void if FLOWROX cannot access all backups and accompanying documentation in order to fulfil its warranty obligations.

d) The Software shall only be used in one (1) computer and in one (1) operating system at a time for control systems supplied by FLOWROX under the contract.

e) The PURCHASER acknowledges and accepts that the Software may contain components that are owned by other software producers incorporated into or embedded in the Software pursuant to license arrangements between FLOWROX and other software producers. The PURCHASER shall strictly follow these license conditions and shall not use the Software in any fashion or purposes other than those agreed herein.

f) The PURCHASER only receives this non-exclusive and non-transferable license for the Software along with accompanying documentation including applicable modifications and copies. All other rights including copyright remain property of FLOWROX or other software producers, to whom the original rights belong.

**9. DEFAULT.** In the event that the PURCHASER becomes insolvent, commits an act of bankruptcy or default in the performance of any term or condition of this contract, the entire unpaid portion of the purchase price shall, without notice or demand, become immediately due and payable. In any such event, FLOWROX, at its option, without notice or demand, shall be entitled (1) to sue for said balance and for reasonable attorneys' fees plus out-of-pocket expenses and interest; (2) to enter any place where said equipment is located and to take immediate possession of and remove said equipment with or without legal process; (3) to retain all

payments therefore made as compensation for the use of said equipment; (4) to resell said equipment at public or private sale without notice or demand for and on behalf of the PURCHASER; and (5) to apply the net proceeds from such sale (after deduction from the sale price of all expenses of such sale and all expenses of retaking possession, repairs necessary to put said equipment in saleable condition, storage charges, taxes, liens, collection and attorneys' charges and all other expenses in connection therewith) to the balance then due to FLOWROX for said equipment and to receive from the PURCHASER the deficiency between such net proceeds of sale and such balance. The PURCHASER hereby waives all trespass, damage and claims resulting from any such entry, repossession, removal, retention, repair, alteration and sale. The remedies provided in this paragraph are in addition to and not in limitation of any other available remedy or remedies of FLOWROX, but each and every such remedy shall be cumulative and shall be in addition to every other remedy under this proposal or now or hereafter existing at law or in equity or by statute. No delay or omission to exercise any right or power accruing upon any default shall impair any such right or power or shall be construed as a waiver thereof, but any such right or power may be exercised from time to time and as often as may be deemed expedient.

**10. CHANGES.** If pursuant to the PURCHASER's written direction or request any change is made in the equipment to be furnished or the work to be performed, the agreed price shall be increased or decreased to reflect such change and the time for completion under the contract shall be extended to the extent required to make such change.

**11. GOVERNING LAW.** This contract shall be governed by the laws of Finland.

**12. ARBITRATION.** Any dispute, controversy or claim arising out of or relating to this contract, or the breach, termination or validity thereof shall be finally settled by arbitration in accordance with the Arbitration Rules of the Finland Chamber of Commerce. The Arbitration proceedings shall be conducted in Helsinki, Finland and the language of the proceeding shall be English.

Notwithstanding the foregoing, the Principal shall, at its discretion, have the right to initiate legal proceedings against the PURCHASER in any competent Court of Law on matters of industrial property rights or for collecting any outstanding invoices or for obtaining injunctive reliefs.

**13. WAIVER.** No claimed waiver of any of the provisions of the proposal or contract shall be valid unless signed by a duly authorised representative of FLOWROX and waiver of one provision shall not constitute waiver of other provision. FLOWROX shall not be bound by any additional or different terms unless those terms are accepted in writing by an authorised representative of FLOWROX.

**14. INTEGRATION CLAUSE.** By acceptance of the proposal, the PURCHASER acknowledges (1) that it has not relied on any previous written, oral or implied representation, inducement or understanding of any kind or nature, (2) that the proposal, including the general terms and conditions and any drawings incorporated in the proposal by reference, embodies the entire agreement between the PURCHASER and FLOWROX and supersedes all prior agreements and understandings, both written and oral among the parties with respect to the subject matter hereof, and (3) that the contract entered into by acceptance of the PURCHASER may not be modified or terminated except by a writing signed by a duly authorised representative of FLOWROX.

30.09.2014



**FLOWROX**

Proven Performance

**FLOWROX OY**

P.O. Box 338

FI-53101 Lappeenranta, Finland

Tel. +358 (0)201 113 311 Fax +358 (0)201 113 300

E-mail: [sales@flowrox.com](mailto:sales@flowrox.com)

[www.flowrox.com](http://www.flowrox.com)