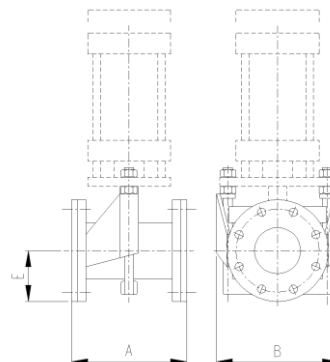
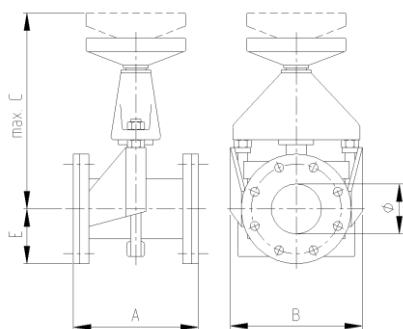
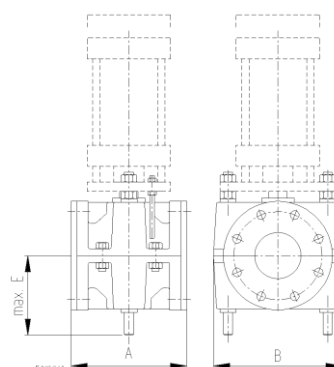
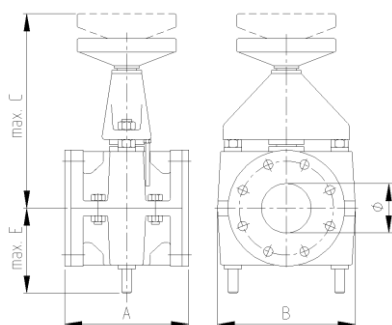


Flowrox pinch valve main dimensions

PV OPEN BODY VALVES



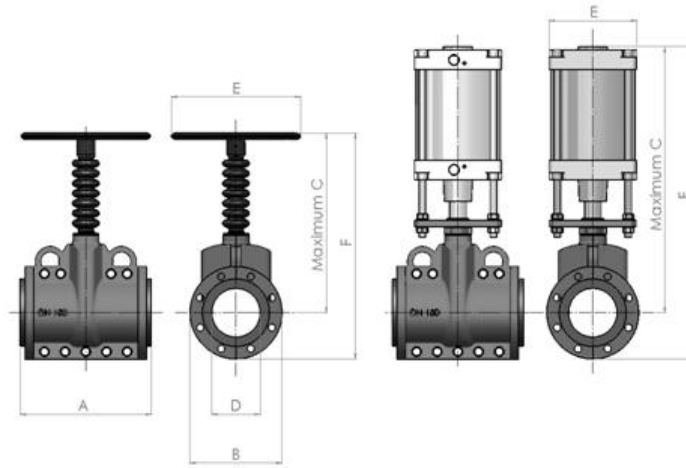
PVE ENCLOSED BODY VALVES



Size \varnothing	PN (bar)	A	B	C	E	Manual valves		Automatic valves	
						WEIGHT FE (KG)	WEIGHT AL (KG)	WEIGHT FE (KG)*	WEIGHT AL (KG)*
PV 80	1-25	200	235	370	100	22	-	14	-
PV 100	1-25	250	265	410	110	29	-	16	-
PV 125	1-25	310	325	465	135	46	-	23	-
PV 150	1-16	375	381	560	143	67	-	36	-
PV 200	1-16	500	461	690	170	88	-	47	-
PV 250	1-10	625	545	865	210	137	-	85	-
PV 300	1-6	750	704	1020	250	167	-	100	-
PVE 25	1-25	165	125	255	87	11	7	8	4
PVE 32	1-25	165	140	260	90	14	9	10	5
PVE 40	1-25	165	180	265	105	16	9	12	6
PVE 50	1-25	165	190	280	120	18	9	13	7
PVE65	1-25	165	210	310	136	22	12	17	9
PVE80	1-25	200	245	370	155	36	17	27	13
PVE 100	1-25	250	278	410	175	46	25	33	17
PVE 125	1-25	310	340	465	210	74	41	48	25
PVE 150	1-16	375	400	560	240	106	74	75	43
PVE200	1-10	500	480	690	295	159	-	119	-
PVE 250	1-6	625	570	865	380	213	-	161	-
PVE 300	1	750	720	1020	445	279	-	212	-

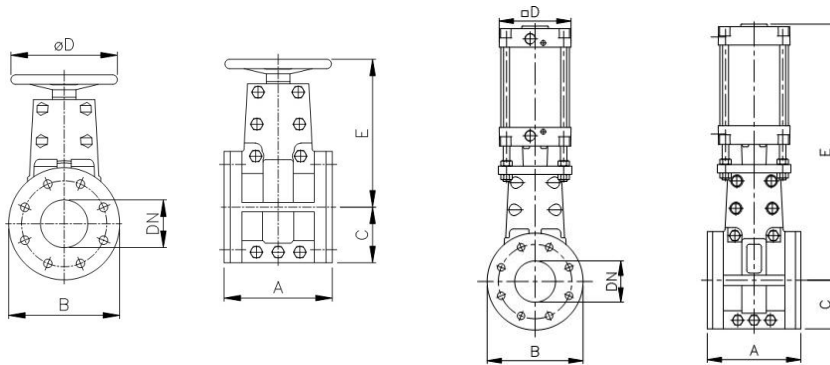
* Weights are for body and sleeve without the actuator

PVG VALVES



Valve size	A	B	C		D		E		F		Weight (kg)		Max Pressure (Bar)	
PVG M&A			M	A	M	A	M	A	M	A	M	A	M	A
50	190	165	280	398	50	150	110	363	481	14	18	10	6	
80	254	200	344	482	80	200	135	444	582	21	30	10	6	
100	305	228	394	568	100	250	176	508	682	30	43	10	6	
150	406	285	553	774	150	400	270	696	917	49	60	10	6	
200	521	343	645	871	200	600	270	817	1043	96	141	6	4	
250	635	406	785	1412	250	600	270	988	1615	140	215	6	4	

PVEG VALVES



Valve size	A	B	C	D		E		Weight (kg)		Max Pressure (Bar)	
PVEG M&A				M	A	M	A	M	A	M	A
50	178	165	82,5	175	116	230	435	6	11	10	6
80	203	209	104,5	200	136	290	545	8	18	10	6
100	229	235	117,5	225	176	320	630	11	27	10	6
150	406	280	140	400	270	450	840	26	74	10	6

Dimensions subject to change without notice. Larger sizes and higher pressures are also available. Dimensional drawings for higher pressure ratings available upon request.

For larger sizes and more information please contact Flowrox.

FLOWROX OY

P.O. Box 338, FI-53101 Lappeenranta, Finland
 Tel. +358 201 113 311, Fax +358 201 113 300
 info@flowrox.com, www.flowrox.com

