

Wey Knife Gate Valve VGB

2.7.20

DN 150–200
Standard construction

Operated by: Handlever

Flange drilling: DN 150 150/150 4 x M12
DN 200 180/180 4 x M12

Nominal pressure PN: DN 150 4 bar
DN 200 2.5 bar

Operating pressure: 1 bar

Face to Face: EN 558 / ISO 5752 Series 20 (DIN 3202 K1)

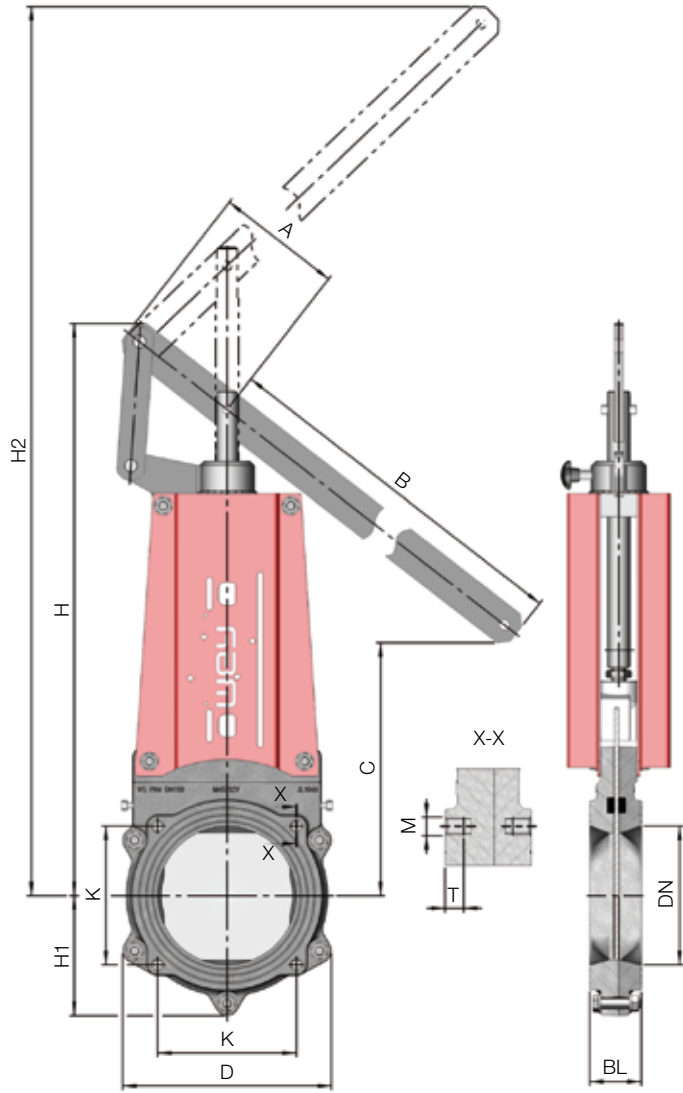
Test acc.: EN 12266-1, rate A

Materials acc. to: Data sheet 2.0.13

Feature: Bi-directional bubble tight shut-off.



DN 150–200



DN	BL	D	K	M	T	Qty bolts	H	H1	H2	A	B	C	Weight kg
150	56	226	150	12	M12	4	620	130	1147	136	796	28	24
200	60	308	180	M12	12	4	727	156	1382	176	874	133	33