

## Wey Knife Gate Valve VGC

**2.7.30**

DN 150–200  
Standard construction

Actuator: Cylinder

Flange drilling: DN 150 150/150 4 x M12  
DN 200 180/180 4 x M12

Nominal pressure PN: DN 150 4 bar  
DN 200 2.5 bar

Operating pressure: DN 150 4 bar  
DN 200 2.5 bar

Supply pressure: 6–8 bar

Face to Face: EN 558 / ISO 5752 Series 20 (DIN 3202 K1)

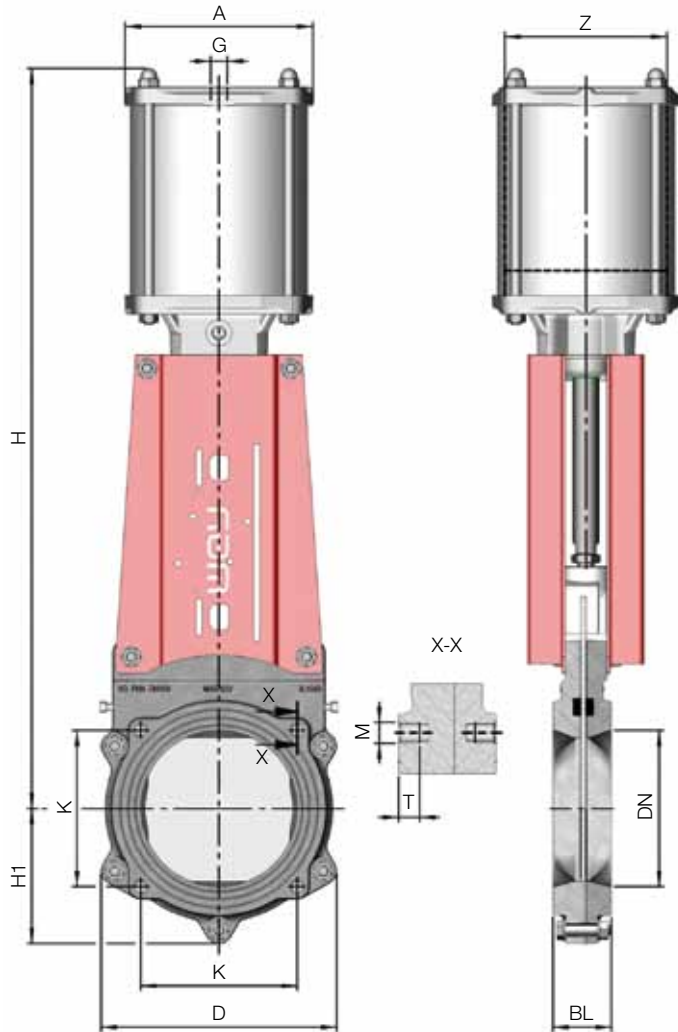
Test acc.: EN 12266-1, rate A

Materials acc. to: Data sheet 2.0.13

Feature: Bi-directional bubble tight shut-off.



DN 150–200



DN	BL	D	K	M	T	Qty bolts	H	H1	A	Z	G ISO 228	Weight kg
150	56	226	150	M12	12	4	698	130	180	160	G 1/4"	27
200	60	308	180	M12	12	4	828	156	180	160	G 1/4"	37