

Vaas series 27 valve

AFH27-446M YB BW Carbon steel body, stainless steel ball, 17-4 PH stem, Butt weld ends

AFH27-666M YB BW Stainless steel body and ball, 17-4 PH stem, Butt weld ends

Design

3 piece, reduced bore, standard two way valve as per EN ISO 17292-2004. Size range DN 8mm - 150mm.

ANSI class 2500 rating up to and including 65mm, ANSI class 1500 rating above 65mm

CE PED Annex III—module H (97/23/EC) Certified by DNV

Anti static provision - ATEX Ex II 2 GDC IIB/IIC (94/9/EC) Certified by DNV

Fire Test to ISO 10497-5: 2004 / API 607 Edition V : 2005

Cavity relief seats, Decompression hole in the ball (top side) - Locking device (without padlock)

End connections: Butt weld, Socket weld, Screwed NPT or BSP and various Flanged versions.

Materials

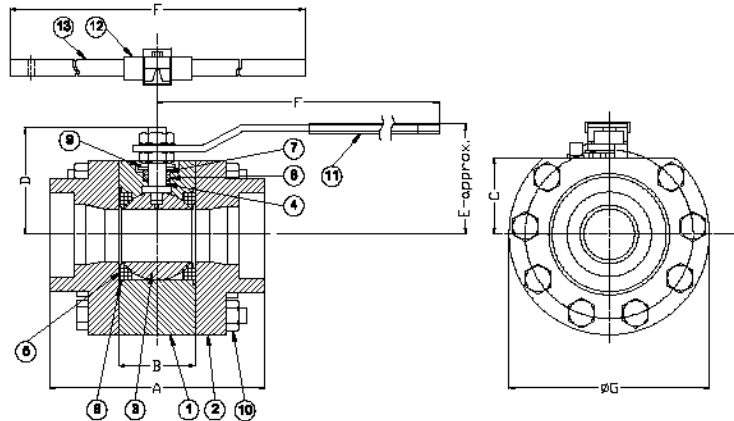
Body and ends Bar machined Carbon steel or Stainless steel. (NACE requirement upon request).

Ball Stainless steel 316, Stem 17-4 PH, Seats Delrin, seals PTFE/graphite

Inspection - Certificates

Test according to EN12266-1 Rate A - Certificate 3.1b (material & testing)

100% of production tested, ref EN12266-1, DIN3230 Part3, API598



13	Wrench handle	CS Pipe zinc plated ≥ 65 mm									
12	Wrench head	Malleable Iron ≥ 65 mm									
11	Bolts and Nuts	Stainless steel	DN mm	A	B	C	D	E	F	ØG	Weight KG
10	Handle	Stainless steel with sleeve	8mm	77.8	20.6	27	38.1	46	179	70	1.9
9	Disc spring	304 Stainless steel	10mm	77.8	20.6	27	38.1	46	179	70	1.9
8	Packing	25% Carbon filled PTFE/Graphite	15mm	77.8	20.6	27	38.1	46	179	70	1.9
7	Gland	316 Stainless steel	20mm	85.0	24.6	30	40.5	48	179	80	2.4
6	Seal	PTFE/Graphite	25mm	108	31.8	38.2	50.5	61	192	98	4.5
5	Seat	Delrin - Acetal resin	32mm	108	41.3	38.0	61.0	65	192	105	5.4
4	Stem	17-4 PH	40mm	131	48.4	50	74.0	80	287	130	9.5
3	Ball	316 Stainless steel	50mm	143	56.4	55	77.8	84	287	145	13.1
2	Ends	Carbon or Stainless steel	80mm	224	83.3	70	145	185	400	215	38.8
1	Body	Carbon or Stainless steel	100mm	269	108.8	89	161	201	610	250	63.7
Item	Description	Material	150mm	336	146	120	226	280	916	290	120