

DATA SHEET

Fugitive Emission (FE) Bonnet Extension for VAAS Ball Valve Range (DN15 – 200)



It is recognised that the process industry must reduce its impact on the environment, if we are to continue global development for our future generations.

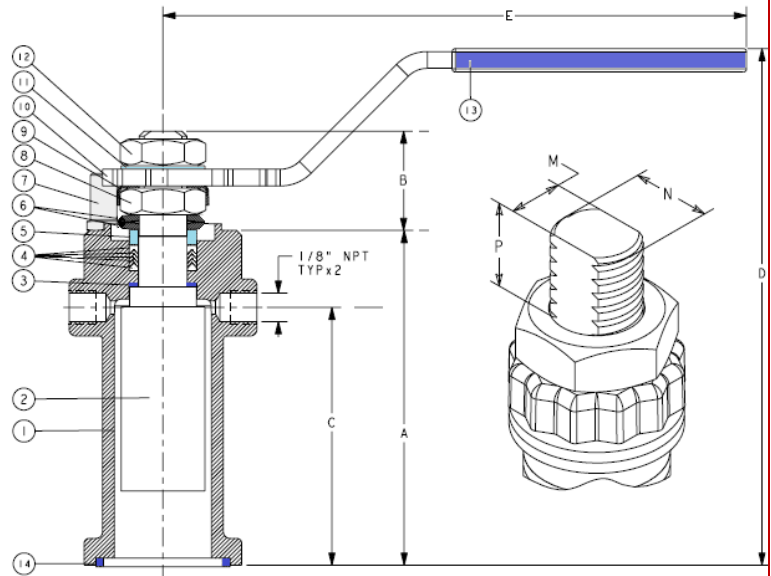
In order to reduce potentially hazardous valve emissions, VAAS has a range of extension bonnets, which incorporate an additional stem seal arrangement that provides a durable double-sealing mechanism.

A selection of different seal materials provides a solution for a wide selection of applications, including fire-safe and high-cycling. Monitoring ports are located between the double seals to enable the use of sensing devices, to determine whether the primary seal has been compromised. Any media would be contained within the bonnet until valve maintenance can be safely arranged.

The top of the bonnet is designed to ISO mounting standards. This ensures that actuators and other operational accessories, such as spring loaded locking devices, are easily fitted.

The rigid construction is completed by a blowout proof stem arrangement.

As well as being supplied on new assemblies, the unit is easily retro-fitted to existing valves without affecting the integrity of the valve or process line.

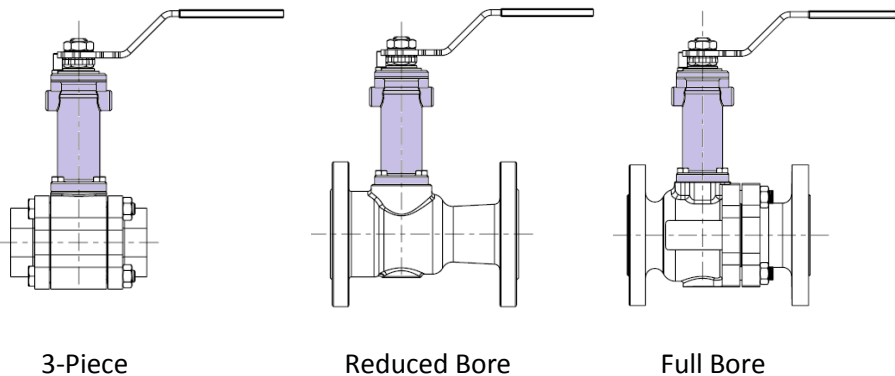


Specification of Materials and General Dimensions

ITEM	DESCRIPTION	MATERIAL	NO. OFF
1	BODY	ST. ST. ASTM A351 CF8M	1
2	STEM	ST. ST. ASTM A276 316/316L	1
3	STEM THRUST SEAL	NRG / PEEK / UHMWPE	1
4	STEM PACKING	TFM / NRG / GRAPHITE / UHMWPE	1,2 or 3
5	FOLLOWER	ST. ST. ASTM B783 316L	1
6	DISC SPRING	ST. ST. 17-7PH	2
7	STOP PIN	ST. ST. ASTM A582 303	1
8	STEM NUT	ST. ST. ASTM A194 316	1
9	LOCKING CLIP	ST. ST. ASTM A164 304	1
10	HANDLE	ST. ST. ASTM A240 430	1
11	SERRATED WASHER	ST. ST. 410	1
12	HANDLE NUT	ST. ST. ASTM A194 316	1
13	HANDLE SLEEVE	VINYL PLATISOL	1
14	BODY SEAL	PTFE / GRAPHITE / UHMWPE	1

VALVE SIZE	CODE	A	B	C	D	E	M	N	P	ISO
DN15-20	05 FE-*	114	89	80	55	150	5.5	3/8" UNF	7.2	F03
DN25-32	10 FE-*	122	97	80	55	187	7.55	7/16" UNF	7.2	F04
DN40-50	15 FE-*	154	130	100	77	236	8.7	9/16" UNF	8	F05
DN65	25 FE-*	144	118	100	77	236	8.7	9/16" UNF	13.5	F07
DN80-100	30 FE-*	187	197	150	77	401	15.9	1" UNS	16.7	F10
DN150-200	60 FE-*	273	219	150	100	916	23.75	1 1/2" UNF	26.2	F12

SUFFIX *	PACKING	THRUST SEAL	DUTY
G	GRAPHITE	NRG	FIRESAFE
HC	NRG	PEEK	HIGH CYCLE
T	PTFE / TFM	NRG	GENERAL
U	UHMWPE	UHMWPE	SPECIAL SERVICE



VAAS Europe Ltd

Unit 5A, Cottage Lane Industrial Estate, Broughton Astley, Leicestershire LE9 6TU, UK
 Tel: +44 (0)1455 286191 Fax: +44 (0)1455 286897 web : www.vaaseurope.eu Email: sales@vaasvalve.com
 Company Registered in England. Registration Number: 7058966