

DATA SHEET

Spring Return Handle for VAAS Ball Valve Range (DN15 – 32)



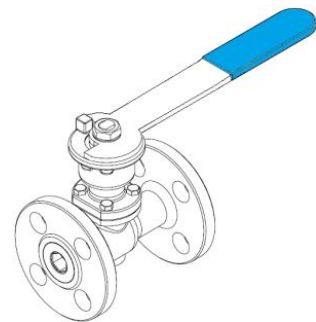
The VAAS Spring Return Handle (SRH) is designed to provide reliable automatic closure of manually operated ball valves in sizes up to DN32 (1¼").

Suitable for both 3-piece and flanged valves, the modular design can be retro-fitted onto existing installed valves, or supplied complete with new valve assemblies.

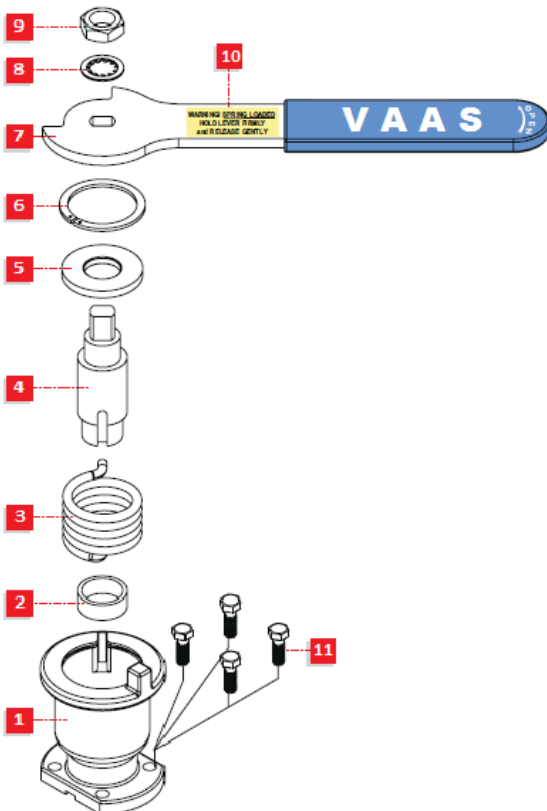
The design will allow configuration to be selected as either a spring to close or spring to open arrangement.

Typical application usages include; sampling points, pressure relief, draining and steam letdown.

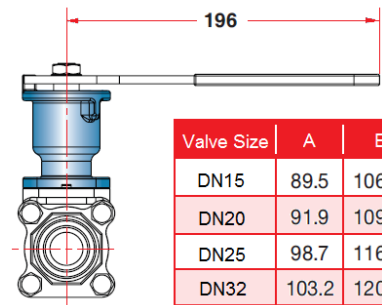
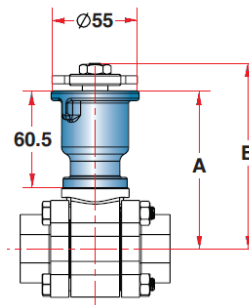
Operation is through a 90° rotation, using a specially designed and strengthened lever.



Specification of Materials and General Dimensions



Item	Description	Material Specifications	Qty.
1	Body housing	Stainless St. ASTM A351 CF8M	1
2	Bottom bearing	PTFE	1
3	Spring	Spring Steel ASTM A401	1
4	Stem	Stainless Steel 17-4 PH	1
5	Top bearing	BRASS ASTM B121	1
6	Locking clip	Spring Steel DIN 472	1
7	Handle	Stainless Steel AISI 430	1
8	Serrated washer	Stainless Steel	1
9	Handle nut	Stainless Steel 316 ASTM A194	1
10	Warning Label	VINYL PLASTISOL	1
11	Housing screws	Stainless Steel A2-70 ISO 4014	4



Valve Size	A	B
DN15	89.5	106.8
DN20	91.9	109.2
DN25	98.7	116.0
DN32	103.2	120.5

VAAS Europe Ltd

Unit 5A, Cottage Lane Industrial Estate, Broughton Astley, Leicestershire LE9 6TU, UK
 Tel: +44 (0)1455 286191 Fax: +44 (0)1455 286897 web : www.vaaseurope.eu Email: sales@vaasvalve.com
 Company Registered in England. Registration Number: 7058966