

## Series PSG/F, TSG/F

# 2 and 3 way Sight Glasses



### Keep for future use!

This operating manual must be strictly observed before transport, installation, operation and maintenance

Subject to change without notice.

Reproduction is generally permitted with indication of the source.

© Richter Chemie-Technik GmbH

9540-050-en Revision 02 Edition 03/2009

## List of Contents

<b>List of Contents</b>	<b>2</b>	<b>6 Installation</b>	<b>8</b>
<b>Relevant documents</b>	<b>2</b>	6.1 Flange caps and gaskets .....	8
<b>1 Technical data</b>	<b>3</b>	6.2 Direction of flow and installation position .....	8
1.1 Name plate, CE and body markings.....	3	6.3 Grounding .....	8
1.2 Tightening torques.....	4	6.4 Test pressure .....	8
1.3 Pressure/temperature diagram .....	5	<b>7 Operation</b>	<b>9</b>
<b>2 Notes on safety</b>	<b>5</b>	7.1 Initial commissioning.....	9
2.1 Intended use.....	6	7.2 Improper operation and their consequences	9
2.2 For the customer / operator.....	6	7.3 Shutdown .....	9
2.3 Improper operation .....	6	<b>8 Malfunctions</b>	<b>9</b>
<b>3 Safety notes for applications in potentially explosive areas based on the Directive 94/9/ EC (ATEX 95)</b>	<b>6</b>	<b>9 Maintenance</b>	<b>9</b>
3.1 Intended use.....	6	<b>10 Drawing</b>	<b>10</b>
<b>4 Safety note for valves, certified to Clean Air Act (TA Luft)</b>	<b>7</b>	10.1 Legend .....	10
<b>5 Transport, storage and disposal</b>	<b>7</b>	10.2 Options PSG/F and TSG/F .....	10
5.1 Storage .....	8	10.3 Sectional drawing PSG/F.....	11
5.2 Return consignments .....	8	10.4 Sectional drawing TSG/F.....	11
5.3 Disposal.....	8	10.5 Dimensional drawing PSG/F.....	12
		10.6 Dimensional drawing TSG/F .....	13

## Relevant documents

- ◆ Declaration of conformity acc. to the EC Pressure Equipment Directive 97/23/EC
- ◆ Form for Safety Information Concerning the Contamination QM 0912-16-2001\_en

# 1 Technical data

## Manufacturer:

Richter Chemie-Technik GmbH  
 Otto-Schott-Str. 2  
 D-47906 Kempen  
 Telephone: +49 (0) 2152 146-0  
 Fax: +49 (0) 2152 146-190  
 E-Mail: [richter-info@idexcorp.com](mailto:richter-info@idexcorp.com)  
 Internet: <http://www.richter-ct.com>

## Designation :

2 way sight glass, series PSG/F,  
 design according DIN 3237

3 way sight glass, series TSG/F

sight glass panes and cover flanges to DIN 3237-2,  
 bolted individually to the body

Certified to German Clean Air Act (TA Luft)

Strength and tightness (P10, P11) of the pressure-  
 bearing body tested to DIN EN 12266-1.

### Face to face

EN 558-1 basic series 1, ISO 5752 series 1

### Flange connecting dimensions:

DIN EN 1092-2, type B (ISO 7005-2 Type B) PN 16 or  
 flanges drilled to ASME B16.5 Class 150

## Materials :

**Body material:** Ductile cast iron EN-JS 1049 to DIN EN  
 1563 (0.7043 DIN 1693) or ASTM A395  
 DN 200 in 1.0037

**Lining material:** DN 25 -150 PFA  
 DN 200 PTFE  
 on request: conductive design

**Sight glass panes:** borosilicate glass to DIN 7080

**Temperature range :** - 60 °C bis + 180 °C

DN 200 - 10 °C bis + 80 °C

See pressure-temperature diagram in [Section 1.3](#).

## Operating pressure:

DN 25 - 100 from vacuum to max. 16 bar

DN 150, 200 from vacuum to max. 10 bar

See pressure-temperature diagram in [Section 1.3](#).

## Strainer size :

PSG/F: DN 25, 40, 50, 65, 80, 100, 150, 200  
 DN 250 and 300 on request

TSG/F: DN 25, 50, 80

## Weight:

Nom. size	25	40	50	65	80	100	150	200
PSG/F ca. kg	6	9	14	16	22	36	73	102
TSG/F ca. kg	7	--	16	--	39	--	--	--

## Installation position:

A direction arrow on the body indicates the direction of  
 flow. See [Section 6.2](#).

## Dimensions and individual parts:

See sectional drawing in [Section 10.2](#).

## Options :

Flexicord strip as an additional flow

Double glass panes

see [Section 10.4](#)

Seal in the bypass connection

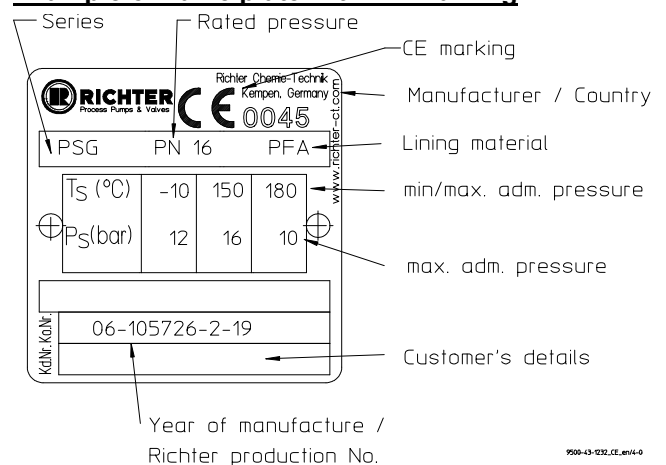
see [Section 1.2](#)

## 1.1 Name plate, CE and body markings

The stainless steel name plate is firmly riveted to the  
 body.

If the operator attaches his identification, it must be  
 ensured that the valve matches the application in  
 question.

### Example of name plate with CE marking



No CE marking is permissible for the size 25; the  
 name plate therefore has no CE marking.

## Body identification :

The following are visible on the body according to DIN  
 EN 19, AD 2000 A4 and ASME 16.34:

- ◆ Nominal size
- ◆ Rated pressure
- ◆ Body material
- ◆ Manufacturer's identification
- ◆ Melt number/Foundry identification
- ◆ Cast date
- ◆ Arrow for direction of flow

## 1.2 Tightening torques

All screws greased, tighten in diametrically opposite sequence!

The tightening torques for pipe screws and body screws mentioned must not be exceeded. For an exception, see **Section 8**, Flange connection valve / pipe is leaking.

The following tightening torques are recommended.

**Pipe screws**, flanges to ISO/DIN

Flange nom. size [mm]	Screws	Tightening torque [Nm]
	[ISO/DIN]	
25	4 x M12	10
40	4 x M16	20
50	4 x M16	26
65	4 x M16	40
80	8 x M16	25
100	8 x M16	35
150	8 x M20	45
200	12 x M20	100

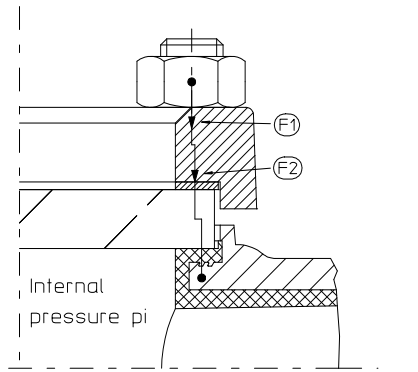
**Pipe screws**, flanges to ASME Class 150 or flanges ISO/DIN drilled to ASME Class 150

Flange nom. size		Screws [ASME]	Tightening torque	
[mm]	[inch]		[Nm]	[in-lbs]
25	1"	4 x 1/2"	8	70
40	1 1/2"	4 x 1/2"	15	135
50	2"	4 x 5/8"	25	220
65	2 1/2"	4 x 5/8"	30	265
80	3"	4 x 5/8"	45	400
100	4"	8 x 5/8"	35	310
150	6"	8 x 3/4"	80	710
200	8"	8 x 3/4"	115	1020

**Cover screws** Seal in the direct power connection

See **Fig. 1**

Nom. size		Screws [ISO/DIN]	Tightening torque	
[mm]	[inch]		[Nm]	[in-lbs]
25	1"	8 x M12	30	265
40	1 1/2"	8 x M16	50	443
50	2"	8 x M16	50	443
65	2 1/2"	8 x M16	50	443
80	3"	16 x M16	50	443
100	4"	16 x M16	50	443
150	6"	16 x M16	50	443
200	8"	16 x M16	50	443



F1 total screw force  
 F2=actual sealing force + pi x A  
 F1=F2

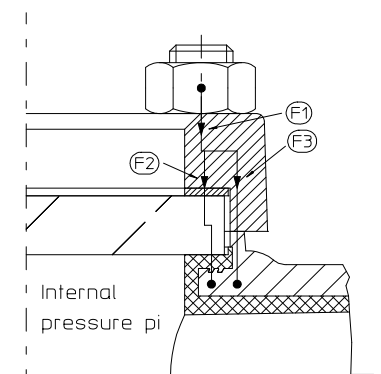
Fig. 1

**Option :**

**Cover screws** Seal in the bypass connection

See **Fig. 2**

Nom. size		Screws [ISO/DIN]	Tightening torque	
[mm]	[inch]		[Nm]	[in-lbs]
25	1"	8 x M12	30	443
40	1 1/2"	8 x M16	50	708
50	2"	8 x M16	50	708
65	2 1/2"	8 x M16	50	708
80	3"	16 x M16	50	708
100	4"	16 x M16	50	443
150	6"	16 x M16	50	443
200	8"	16 x M16	50	443



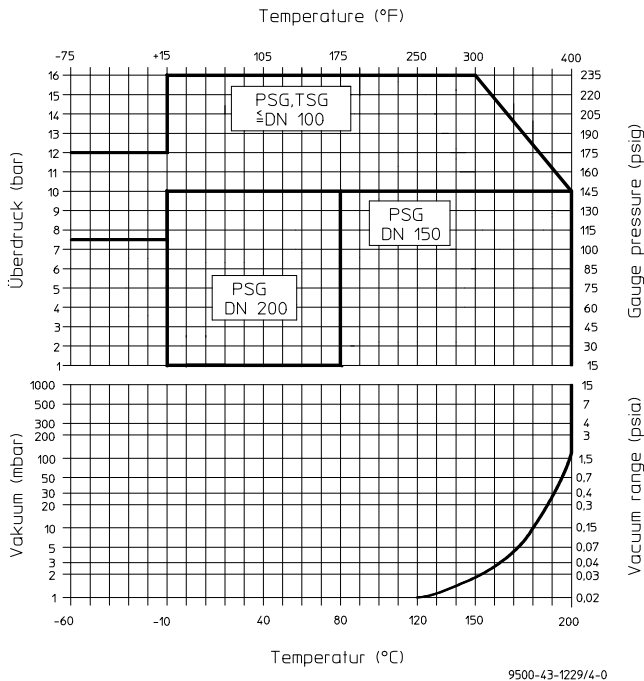
F1 total screw force  
 F2=actual sealing force + pi x A  
 F3=F1 - F2

9500-43-1326\_en/4-0

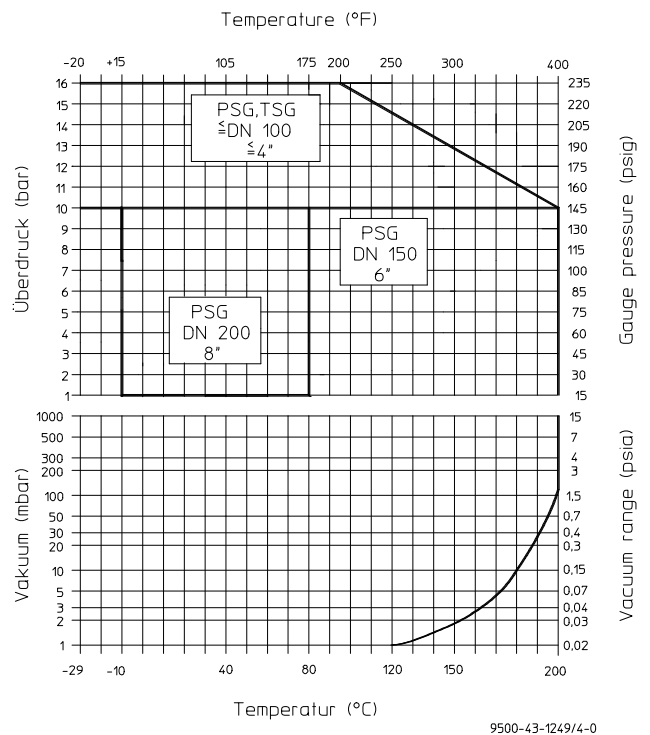
Fig. 2

### 1.3 Pressure/temperature diagram

#### According to AD 2000



#### According to ASME B 16.42



When used in the area of application of ASME, the low temperature of ASTM A395 is limited to -20°F (-29°C).



When used in the minus temperature range, the regulations applicable in the country in question must be observed.

## 2 Notes on safety

This operating manual contains fundamental information which is to be observed during installation, operation and maintenance.

**It must therefore be read before installation and commissioning!**

For valves which are used in potentially explosive areas, see **Section 3**.

Installation and operation are to be performed by qualified staff.

The area of responsibility, authority and supervision of the staff must be regulated by the customer.



**General hazard symbol!**  
People may be put at risk.



**Safety symbol!** The ball valve and its function may be put at risk if this safety symbol is not observed.

It is imperative to observe warnings and signs attached directly to the ball valve and they are to be kept fully legible.

**Non-observance of the notes on safety may result in the loss of any and all claims for damages.**

For example, non-observance may involve the following hazards:

- ◆ Failure of important functions of the valve/plant.
- ◆ Risk to people from electric, mechanical and chemical effects.
- ◆ Risk to the environment through leaks of hazardous substances.

## 2.1 Intended use

Richter sight glasses of the series PSG/F and TSG/F are pressure-maintaining components in accordance with the Pressure Equipment Directive (PED) for the passage of fluids.

They permit a view into the housing interior from two opposite sides.

The valves are suitable for vapours, gases and liquids of group 1 in accordance with the PED and have a corrosion-resistant plastic lining.

The sight glasses serve to the monitoring of flow, filling level, condition, colour and gas contents of media in pipes and vessels and near pumps.

The operator must carefully check in the event of operating data other than those provided whether the designs of the strainer, accessories and materials are suitable for the new application (consultation with the manufacturer).

## 2.2 For the customer / operator

When using the valve, the operator must ensure that

- ◆ hot or cold valve parts are protected by the customer against being touched
- ◆ the valve has been properly installed in the pipe system
- ◆ the usual flow rates are not exceeded in continuous operation.

This is not the manufacturer's responsibility.

Loads caused by earthquakes were not allowed for in the design.

Fire protection to DIN EN ISO 10497 is not possible (plastic lining and plastic components).

## 2.3 Improper operation

The operational reliability of the valve supplied is only guaranteed if it is used properly in accordance with **Section 2.1** of this operating manual.



The operation limits specified on the identification plate and in the pressure-temperature diagram must under no circumstances be exceeded.

# 3 Safety notes for applications in potentially explosive areas based on the Directive 94/9/ EC (ATEX 95)

The valves are intended for use in a potentially explosive area and are therefore subject to the conformity assessment procedure of the directive 94/9/EC (ATEX).

As part of this conformity assessment, an ignition hazard analysis to EN 13463-1 to satisfy the fundamental safety and health requirements was conducted with the following result:

- ◆ **The valves do not have any ignition source of their own.**
- ◆ **The valves are not covered by the scope of application of the ATEX directive and therefore do not need to be identified accordingly.**
- ◆ **The valves may be used in a potentially explosive area.**

It is imperative to observe the individual points of intended use for application in a potentially explosive area.

## 3.1 Intended use

**Improper operation, even for brief periods, may result in serious damage to the valve.**

**In connection with explosion protection, potential sources of ignition (overheating, electrostatic and induced charges, mechanical and electric sparks) may result from these Improper operation; their occurrence can only be prevented by adhering to the intended use.**

Furthermore, reference is made in this connection to the Directive 95/C332/06 (ATEX 118a) which contains the minimum regulations for improving the occupational health and safety of the workers who may be at risk from an explosive atmosphere.

A difference is made between two cases for the use of chargeable liquids (conductivity  $< 10^{-8}$  S/m):

## 1. Chargeable liquid and non-conductive lining

Charges can occur on the lining surface. As long as the valve is completely filled with medium, no hazardous discharges can result from these charges.

As a result, this can produce discharges inside the valve. However, these discharges cannot cause ignitions if the valve is completely filled with medium.

If the valve is not completely filled with medium, e.g. during evacuation and filling, the formation of an explosive atmosphere must be prevented, e.g. by superimposing a layer of nitrogen. It is recommended to wait 1 hour before removing the valve from the plant in order to permit the elimination of static peak charges.

This means that, to safely prevent ignitions, the valve must be completely filled with medium at all times or else a potentially explosive atmosphere must be excluded by superimposing a layer of inert gas.

## 2. Chargeable liquid and conductive lining

No hazardous charges can occur as charges are discharged direct via the lining and shell (surface resistance <math>< 10^9</math> Ohm, leakage resistance <math>< 10^6</math> Ohm)

**Static discharges of non-conductive linings are only produced through the interaction with a non-conductive medium and are therefore the responsibility of the plant operator.**

**Static discharges are not sources of ignition which stem from the valves themselves!**

- The temperature of the medium must not exceed the temperature of the corresponding temperature class or the maximum admissible medium temperature as per the operating manual.
- If the valve is heated (e.g. heating jacket), it must be ensured that the temperature classes prescribed in the Annex are observed.
- To achieve safe and reliable operation, it must be ensured in inspections at regular intervals that the valve is properly serviced and kept in technically perfect order.
- Increased wear to the valve can be expected with the conveyance of liquids containing abrasive constituents. The inspection intervals are to be reduced compared with the usual times.
- Actuators and electric peripherals, such as temperature, pressure and flow sensors etc., must comply with the valid safety requirements and explosion protection provisions.
- The valve must be grounded. This can be achieved in the simplest way via the pipe screws using tooth lock washers. Otherwise grounding must be ensured by other action, e.g. cable bridges.
- Plastic-lined valves must not be operated with carbon disulphide.

## 4 Safety note for valves, certified to Clean Air Act (TA Luft)

On request, this valve can be supplied compliant with the German Clean Air Code.

Certificate / Manufacturer Declaration Validity is dependent on the operating instructions being read and observed.

In particular, servicing must be conducted at regular intervals, and the bolted connections relevant for tightness must be inspected and retightened if necessary.

## 5 Transport, storage and disposal



It is imperative, for all transport work, to observe generally accepted engineering practice and the accident prevention regulations.



The valve is supplied with flange caps. Do not remove them until just before installation. They protect the plastic surfaces against dirt and mechanical damage.

Handle the goods being transported with care. During transport the valve must be protected against impacts and collisions.

Directly after receipt of the goods, the consignment must be checked for completeness and any in-transit damage.

Do not damage paint protection.

## 5.1 Storage

If the valve is not installed immediately after delivery, it must be put into proper storage.

It should be stored in a dry, vibration-free and well-ventilated room at as constant a temperature as possible..

Elastomers are to be protected against UV light.

In general, a storage period of 10 years should not be exceeded.

## 5.2 Return consignments

Valves which have conveyed aggressive or toxic media must be well rinsed and cleaned before being returned to the manufacturer's works.

It is **imperative** to enclose a **safety information sheet / general safety certificate** on the field of application with the return consignment.

Pre-printed forms are enclosed with the installation and operating manual.

Safety precautions and decontamination measures are to be mentioned.

## 5.3 Disposal

Parts of the valve may be contaminated with medium which is detrimental to health and the environment and therefore cleaning is not sufficient.



Risk of personal injury or damage to the environment due to the medium!

- ◆ Wear protective clothing when work is performed on the valve.
- ◆ Prior to the disposal of the valve:
  - Collect any medium, etc. which has escaped and dispose of it in accordance with the local regulations.
  - Neutralise any medium residues in the valve.
- ◆ Separate valve materials (plastics, metals etc.) and dispose of them in accordance with the local regulations.

# 6 Installation

- ◆ Examine valve for in-transit damage, damaged globe shut-off or control valves must not be installed.
- ◆ Before installation the valve and the connecting pipe must be carefully cleaned to remove any dirt, especially hard foreign matter.
- ◆ During installation, pay attention to the correct tightening torque, aligned pipes and tension-free assembly.

## 6.1 Flange caps and gaskets

Leave protective caps on the flanges until just prior to installation.

If plastic sealing surfaces can be damaged, e.g. with mating flanges made of metal or enamel, use PTFE-lined seals with a metal inlay.

These are available as special accessories from the Richter product range.

## 6.2 Direction of flow and installation position

The direction of flow must be observed when installing the valve.

It is indicated by a direction arrow on the valve shell.

## 6.3 Grounding

The valve must be grounded. The simplest solution is to use tooth lock washers which are placed under one pipe bolt of each flange.

At the customer's request a setscrew M6 with a hex. nut and washer will be provided at each flange as an additional grounding connection.

Otherwise grounding must be ensured by different measures e.g. a cable link.

## 6.4 Test pressure

The test pressure PT of a valve must not exceed the value of 1.5 x PS(PN) as per the identification of the valve.



## 7 Operation

### 7.1 Initial commissioning

Normally, the valves have been tested for leaks with air or water. Prior to initial operation check cover screws. For torques see [Section 1.2](#).



Unless otherwise agreed, there could be residual amounts of water in the flow section of the ball valve; this could result in a possible reaction with the medium.

To prevent leaks, all connection screws should be retightened after the initial loading of the valve with operating pressure and operating temperature. For torques, see [Section 1.2](#).

### 7.2 Improper operation and their consequences

- ◆ Non-observance of the pressure-temperature diagram can lead to damage.

### 7.3 Shutdown

The local regulations are to be observed when dismantling the valve.

Prior to undoing the flange connection ensure, that the plant is depressurised and emptied.



Prior to starting any repair work, the valve is to be thoroughly cleaned. Even if the valve has been properly emptied and rinsed, residual medium may still be found in the valve,

After dismantling, immediately protect the valve flanges against mechanical damage with flange caps. See also [Section 6.1](#).

## 8 Malfunctions

- ◆ Flange connection valve/pipe is leaking  
Retighten the flange screws to a tightening torque according to [Section 1.2](#). If this does not remedy the leak, the recommended torques may be exceeded by 10%.

If this also fails to stop the leak, dismantle and inspect the valve.

## 9 Maintenance

- ◆ All repair work is to be performed by qualified personnel using the appropriate tools. Generally recognised practice in mechanical engineering is to be observed.
- ◆ For the arrangement, designation and item numbers of all parts of the valve, see [Section 10](#).
- ◆ Spare parts are to be ordered with all the details in acc. with the valve identification.
- ◆ Only original spare parts may be installed.



Make sure that the sight glass is empty when work is performed on it.  
See also [Section 7.3](#).

- ◆ To prevent leaks, a regular check of the connection screws should be made in line with the operating requirements.  
For torques see [Section 1.2](#).
- ◆ Clean the discs from outside when required.
- ◆ Use mild cleaning agents.
- ◆ Clean the discs from the inside when required.  
Observe [Section 7.3](#).

## 10 Drawing

### 10.1 Legend

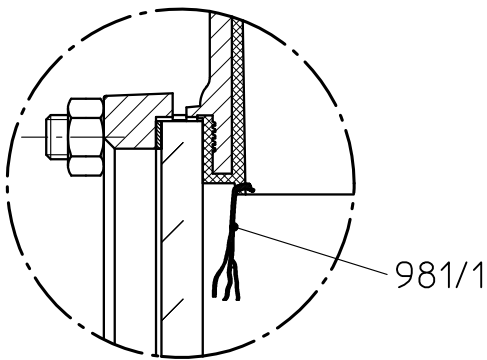
<b>100</b>	body
<b>106</b>	cover
<b>114</b>	pane
<b>408</b>	seal
<b>902/1</b>	stud. screw
<b>920/1</b>	hex. nut
<b>936/1</b>	toothed lock washer

<b><u>Option Flexicord-strip</u></b>	
<b>981/1</b>	Flexicord-strip

<b><u>Option double glass pane</u></b>	
<b>417</b>	U-seal

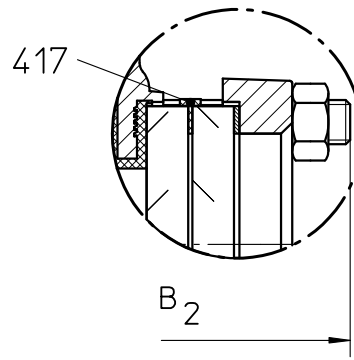
### 10.2 Options PSG/F and TSG/F

#### Option Flexicord strip



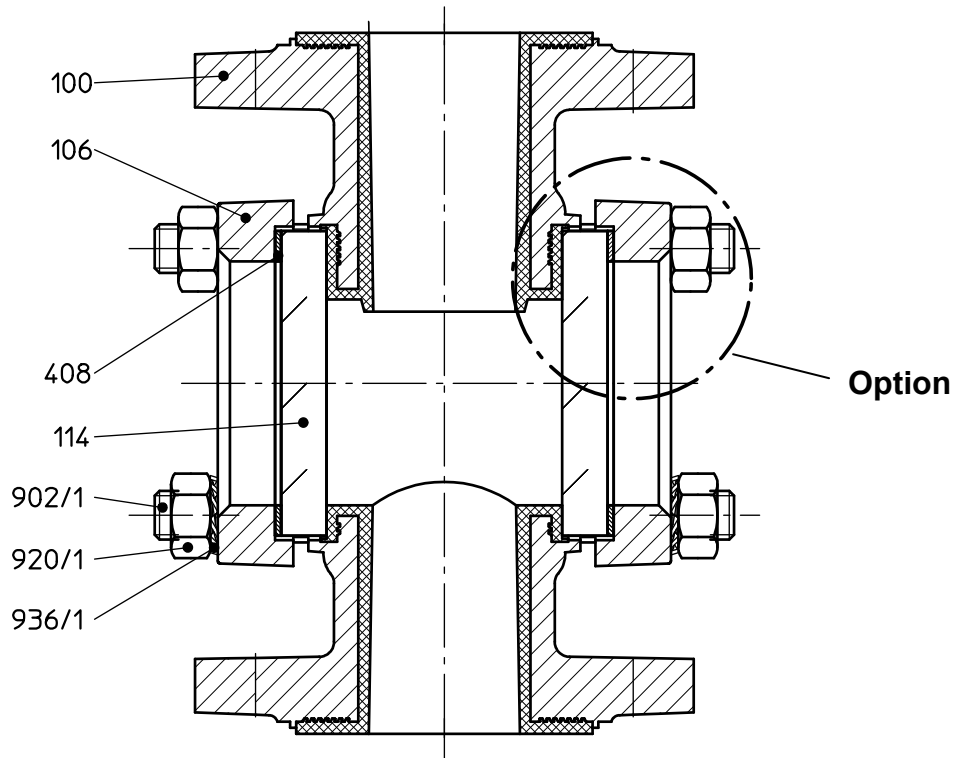
9540-00-3000/4-0

#### Option double glass pane

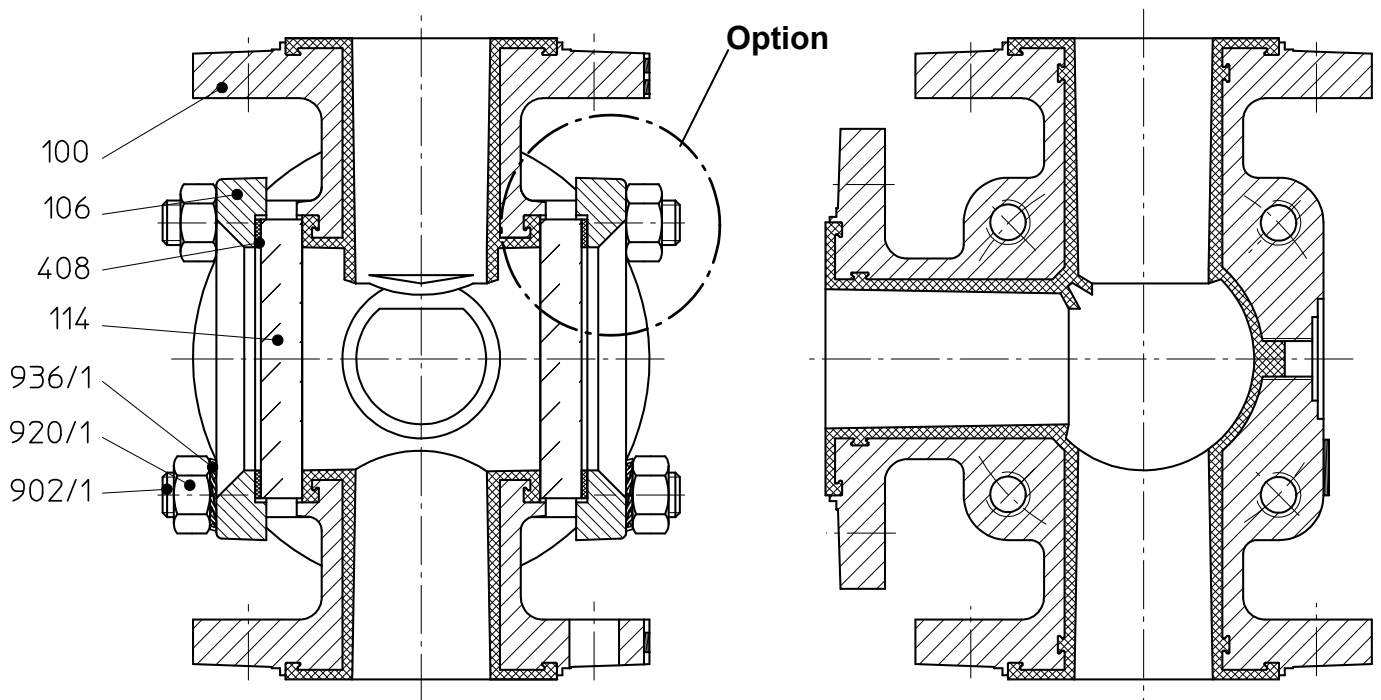


9540-00-3000/4-0

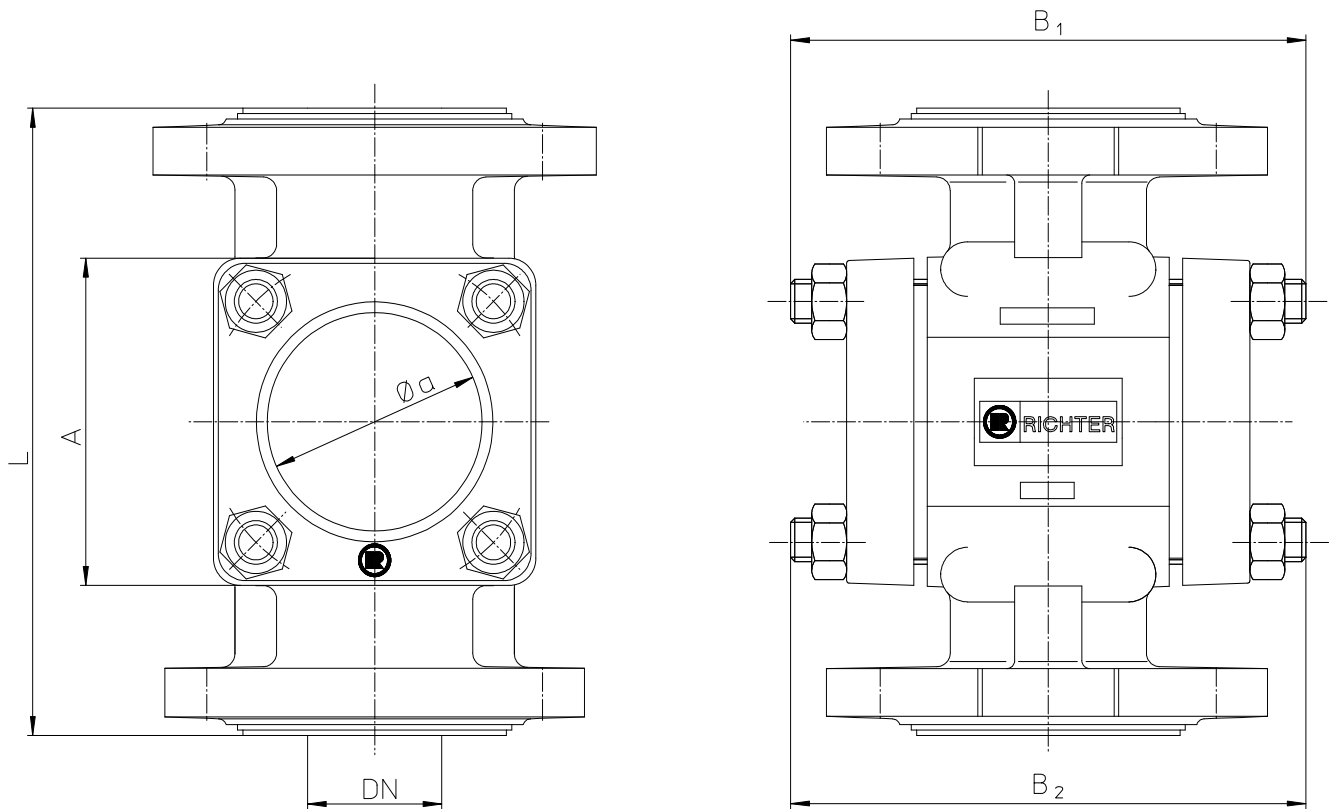
10.3 Sectional drawing PSG/F



10.4 Sectional drawing TSG/F



10.5 Dimensional drawing PSG/F



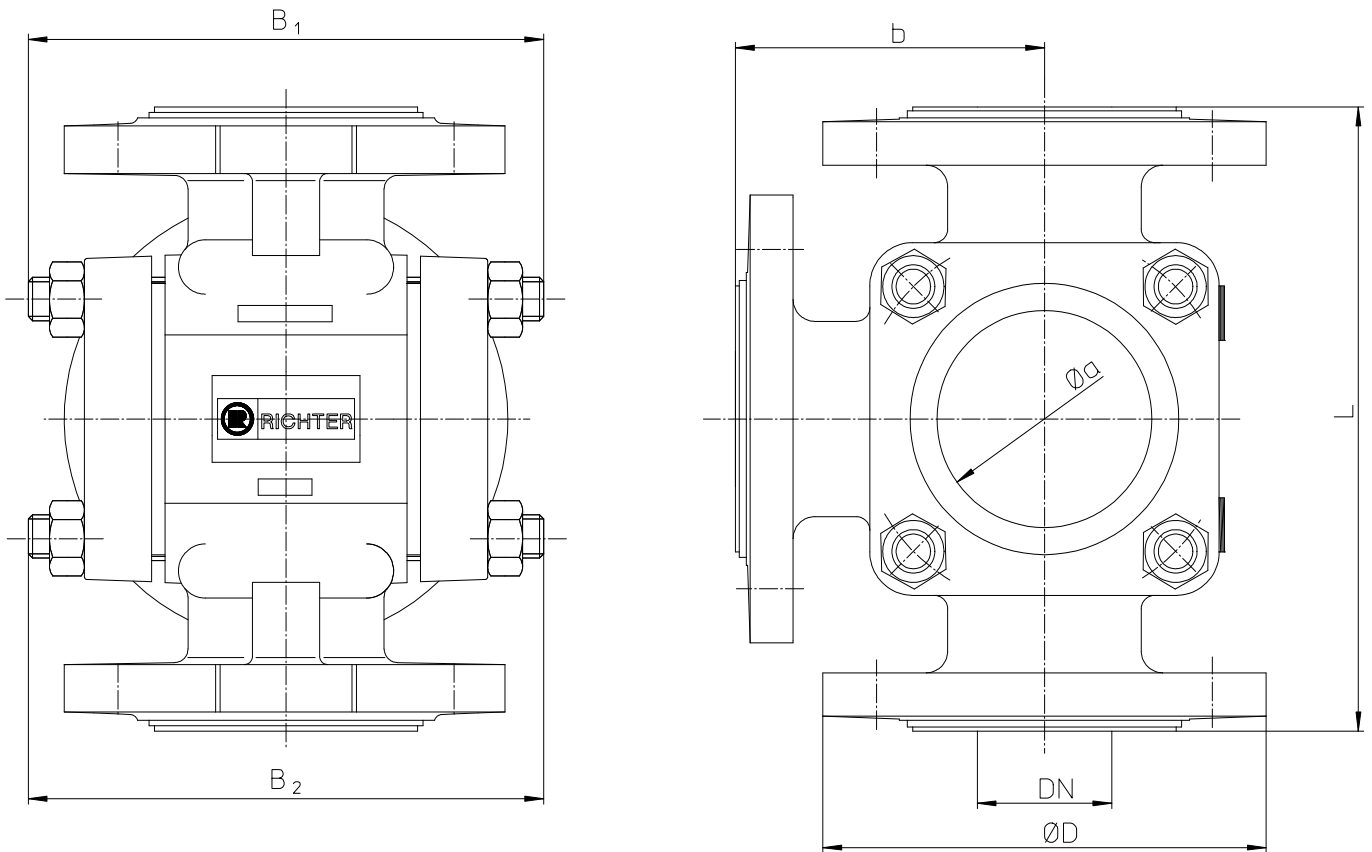
DN	25	40	50	65	80	100	150
	[mm]	[mm]	[mm]	[mm]	[mm]	[mm]	[mm]
L	160	200	230	290	310	350	480
A	85	110	120	Ø175	Ø190	Ø210	Ø250
Øa	48	65	80	80	100	125	137
B <sub>1</sub>	ca.135	ca.155	ca.185	ca.194	ca.246	ca.294	ca.374
B <sub>2</sub> *	ca.158	ca.182	ca.218	-	ca.289	ca.347	-

\* Option: Double glass panes

Flange connecting dimensions:

DIN EN 1092-2, type B (ISO 7005-2, type B) PN 16 or flanges drilled to ASME B16.5 Class 150.

10.6 Dimensional drawing TSG/F



DN	25	50	80
	[mm]	[mm]	[mm]
$\text{ØD}$	115	165	200
L	160	230	310
$\text{Øa}$	48	80	100
b	80	115	155
$B_1$	ca.135	ca.185	ca.246
$B_2^*$	ca.158	ca.218	ca.289

\* Option: Double glass panes

Flange connecting dimensions:

DIN EN 1092-2, type B (ISO 7005-2, type B) PN 16 or flanges drilled to ASME B16.5 Class 150.

**Konformitätserklärung nach Richtlinie 97/23/EG für  
Richter Chemie-Technik GmbH Armaturen**

**Declaration of conformity according the directive 97/23/EG for  
Richter Chemie-Technik GmbH valves**

Hiermit erklärt die Richter Chemie-Technik GmbH die Konformität der gelieferten Armaturen gemäß der Richtlinie 97/23/EG (Druckgeräterichtlinie).

Herewith Richter Chemie-Technik GmbH declares the conformity of the delivered valves according to the directive 97/23/EG (Pressure Equipment Directive).

Baureihe / Series: **PSG/F, TSG/F**

Anschrift des Herstellers / Manufacturer's adress:

Richter Chemie-Technik GmbH  
Otto-Schott-Straße 2  
D 47906 Kempen

Alle Armaturen > DN 25 welche in Kategorie I-III fallen, wurden nach Modul H der Richtlinie 97/23/EG zertifiziert.  
Valves  $\geq 1''$  of the category I-III are certified according to module H of the directive 97/23/EG.

Sicherheitsventile fallen in Kategorie IV und wurden nach Modul B+D der Richtlinie 97/23/EG zertifiziert.  
Safety valves of the category IV are certified according to the modules B+D of the directive 97/23/EG.

Die benannte Stelle welche das Qualitätssicherungssystem und die o.g. Module der Richtlinie 97/23/EG zertifiziert:

The notified body which is responsible for the certification of the quality system and for the above mentioned modules of the PED is:

TÜV Nord Systems GmbH  
Meidericher Straße 14-16  
D-47058 Duisburg  
Kenn.- Nr.: CE 0045

Angewandte Normen oder technische Spezifikationen:

DIN 3840, AD 2000 Regelwerk, DIN EN 12516

Other standards or technical specifications:

DIN 3840, AD 2000 Regelwerk, DIN EN 12516

Diese Erklärung verliert ihre Gültigkeit bei baulicher Veränderung, Verwendung von nicht originalen Richter Ersatzteilen und bei nicht bestimmungsgemäßer Verwendung, sofern vorher nicht ausdrücklich die schriftliche Zustimmung des Herstellers vorliegt.

This declaration will lose its validity if a structural alternation, non original spare parts from Richter or non-defined employment is made, unless the express written approval of the manufacturer is available previously.

i.V. Dipl.-Ing Ingo Zunsen  
(Leiter Qualitätsmanagement / Quality Manager)

Dies ist ein Computerausdruck und ohne Unterschrift gültig.  
This is a computer print and valid without signature.

## Safety Information / **Declaration of No Objection** Concerning the Contamination of Richter-Pumps, -Valves and Components

### 1 SCOPE AND PURPOSE

Each entrepreneur (operator) carries the responsibility for the health and safety of his employees. This extends also to the personnel, who implements repairs with the operator or with the contractor.

Enclosed declaration is for the information of the contractor concerning the possible contamination of the pumps, valves and component sent in for repair. On the basis of this information for the contractor is it possible to meet the necessary preventive action during the execution of the repair.

Note: The same regulations apply to repairs **on-site**.

### 2 PREPARATION OF DISPATCH

Before the dispatch of the aggregates the operator must fill in the following declaration completely and attach it to the shipping documents. The shipping instructions indicated in the respective manual are to be considered, for example:

- Discharge of operational liquids
- remove filter inserts
- lock all openings hermetically
- proper packing
- Dispatch in suitable transport container
- Declaration of the contamination fixed **outside!!** on the packing

# Declaration about the Contamination of Richter Pumps, -Valves and Components

The repair and/or maintenance of pumps, valves and components can only be implemented if a completely filled out declaration is available. If this is not the case, delay of the work will occur. If this declaration is not attached to the devices, which have to be repaired, the transmission can be rejected.

**Every aggregate has to have it's own declaration.**

This declaration may be filled out and signed only by authorized technical personnel of the operator.

Contractor/dep./institute : _____		Reason for transmitting <input checked="" type="checkbox"/> Please mark the applicable	
Street : _____		<b>Repair:</b> <input type="checkbox"/> subject to fee <input type="checkbox"/> Warranty	
Postcode, city: _____		<b>Exchange:</b> <input type="checkbox"/> subject to fee <input type="checkbox"/> Warranty	
Contact person: _____		<input type="checkbox"/> Exchange/ Replacement already initiated/received	
Phone : _____ Fax : _____		<b>Return:</b> <input type="checkbox"/> Leasing <input type="checkbox"/> Loan <input type="checkbox"/> for credit note	
<b>End user :</b> _____			
<b>A. Details of Richter-product:</b>		<b>Failure description:</b>	
Classification: _____		Equipment: _____	
Article number: _____		Application tool: _____	
Serial number: _____		Application process: _____	
<b>B. Condition of the Richter-product:</b>			
	no <sup>1)</sup>	yes	
Was it in operation ?	<input type="checkbox"/>	<input type="checkbox"/>	<b>Contamination :</b>
Drained (product/operating supply item) ?	<input type="checkbox"/>	<input type="checkbox"/>	toxic
All openings hermetically locked!	<input type="checkbox"/>	<input type="checkbox"/>	caustic
Cleaned ?	<input type="checkbox"/>	<input type="checkbox"/>	inflammable
If yes, with which cleaning agent:			explosive <sup>2)</sup>
and with which cleaning method:			mikrobiological <sup>2)</sup>
			radioactive <sup>3)</sup>
			other pollutant
			no <sup>1)</sup> yes
<sup>1)</sup> if "no", then forward to D. <span style="float:right;">←</span> <sup>2)</sup> Aggregates, which are contaminated with microbiological or explosive substances, are only accepted with documented evidence of an approved cleaning. <sup>3)</sup> Aggregates, which are contaminated with radioactive substances, are not accepted in principle.			
<b>C. Details of the discharged materials (must be filled out imperatively)</b>			
1. <b>With which materials did the aggregate come into contact ?</b> Trade name and/or chemical designation of operational funds and discharged materials, material properties, e.g. as per safety data sheet (e.g. toxic, inflammable, caustic)			
X Trade name: _____		Chemical designation: _____	
a) _____		_____	
b) _____		_____	
c) _____		_____	
d) _____		_____	
2. <b>Are the materials specified above harmful to health ?</b>		no	yes
		<input type="checkbox"/>	<input type="checkbox"/>
3. <b>Dangerous decomposition products during thermal load ?</b>		<input type="checkbox"/>	<input type="checkbox"/>
<b>If yes, which ones ?</b>		←	

**D. Mandatory declaration:** We assure that the data in this explanation are truthful and complete and as a signatory I am able to form an opinion about this. We are aware that we are responsible towards the contractor for damages, which results from incomplete and incorrect data. We commit ourselves to exempt the contractor from claims for damages of thirds resulting from incomplete or incorrect data. We are aware that we are directly responsible towards thirds, irrespective of this declaration, which belongs in particularly to the employees of the contractor consigned with the handling repair of the product.

Name of the authorized person (in block letters): \_\_\_\_\_

\_\_\_\_\_ Date \_\_\_\_\_ Signature

Company stamp



## FAX

**Fax No. ()**

**Pages (incl. cover sheet) ()**

**To:**

()

Richter Chemie-Technik GmbH  
Otto-Schott-Straße 2  
D-47906 Kempen

Telefon +49 (0) 21 52/146-0  
Telefax +49 (0) 21 52/146-190

richter-info@richter-ct.com  
www.richter-ct.com

Contact person:  
()

Reference:  
()

Extension:  
- ()

E-Mail Address:  
()

Date:  
()

**Your order No.:** ()

**Our Kom. No.:** ()

**Serial No.:** ()

Dear Sirs,

The compliance with laws for the industrial safety obligates all commercial enterprises to protect their employees and/or humans and environment against harmful effects while handling dangerous materials.

The laws are such as: the Health and Safety at Work Act (ArbStättV), the Ordinance on Harzadous Substances (GefStoffV, BIOSTOFFV), the procedures for the prevention of accidents as well as regulations to environmental protection, e.g. the Waste Management Law (AbfG) and the Water Resources Act (WHG)

An inspection/repair of Richter products and parts will only take place, if the attached explanation is filled out correctly and completely by authorized and qualified technical personnel and is available.

In principle, radioactively loaded devices sent in, are not accepted.

Despite careful draining and cleaning of the devices, safety precautions should be necessary however, the essential information must be given.

The enclosed declaration of no objection is part of the inspection/repair order. Even if this certificate is available, we reserve the right to reject the acceptance of this order for other reasons.

Best regards  
RICHTER CHEMIE-TECHNIK GMBH

Enclosures

()