

# Control Valves

## Series 803

### 3-way Valves



RAM Universal Limited — Broughton Astley — Leicestershire — LE9 6TU

#### Technical data

Function	Mixing or diverting
Diameter (DN)	DN 15—150, 1" - 6"
Pressure rating	DIN PN40, ANSI 300#
Connections	Flanges DIN, Flanges ANSI 300#, welding ends
Flansboring	DIN PN 10-40, ANSI 300#
Dimensions	DIN PN10-40, ANSI CLASS 300 face-to-face
Plug sealing	Metal sealing (Class IV) , soft sealing (Class VI)
Characteristic	Linear
Temperature	-196 to +350°C

#### Description

Serie 803 "Heavy Duty" control valves are linear, 3-way valves for industrial use. The Series 803 valve offers superior performance in nearly all types in liquid and gaseous services within a wide temperature range. Due to the modular body construction the valves can easily be upgraded to special applications. Cryogenic-, high temperature- or bellows sealed designs are available and can be delivered with very short delivery times.



#### Options

- ⇒ Stellited or toughened plug and seat
- ⇒ Class VI, tight shut off sealing
- ⇒ High temperature extension / finned bonnet (+350°C)
- ⇒ Cryogenic extension (-196°C)
- ⇒ Bellows seal (double-, triple wall PN40)
- ⇒ Full stainless steel actuator for corrosive environment.
- ⇒ Stroke limiter
- ⇒ Handwheel for emergency operation
- ⇒ Valve positioners (Exi, Exd, HART, BUS)
- ⇒ Limit switches
- ⇒ Position feedback
- ⇒ Airset
- ⇒ Electric linear actuators (400, 230, 24 V, Ex, Exd)

#### Capacity factor (C<sub>v</sub>) Series 803

DN	C <sub>v</sub> (K <sub>vs</sub> = 1.16 x C <sub>v</sub> )			
	4	2,5	2,5	2,5
15	4	2,5		
20	7	4	2,5	
25	12	7	4	2,5
32	18	12	7	4
40	28	18	12	7
50	48	28	18	12
65	72	48	28	18
80	105	72	48	28
100	160	105	72	48
150	300	210	160	105

www.ramuniversal.co.uk

Tel.: +44 (0)1455 285428 — Fax: +44 (0)1455 285404

# Control Valves

## Series 803

### 3-way Valves



RAM Universal Limited—Broughton Astley—Leicestershire—LE9 6TU

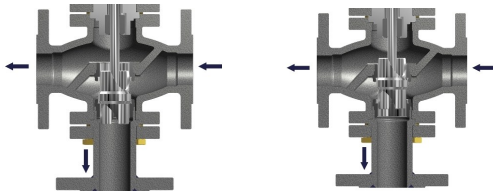
www.ramuniversal.co.uk

Tel.: +44 (0)1455 285428—Fax: +44 (0)1455 285404

Materials	
Valve body	GGG 40 / A216 WCB / CF8M
Trim (plug / seat / stem)	316L / Stellite / 17-4PH / HAC / Monel
Stem	316L
Packing	PTFE, PTFE-CG + 'OR' FPM, special
Body gasket	FASIT 400, SIL C4500, PTFE, special
Acuator	FE (coated), stainless steel
Yoke	GGG 40, stainless steel

#### Function overview

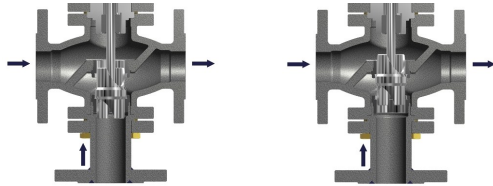
##### Dividing



Normally open straight way

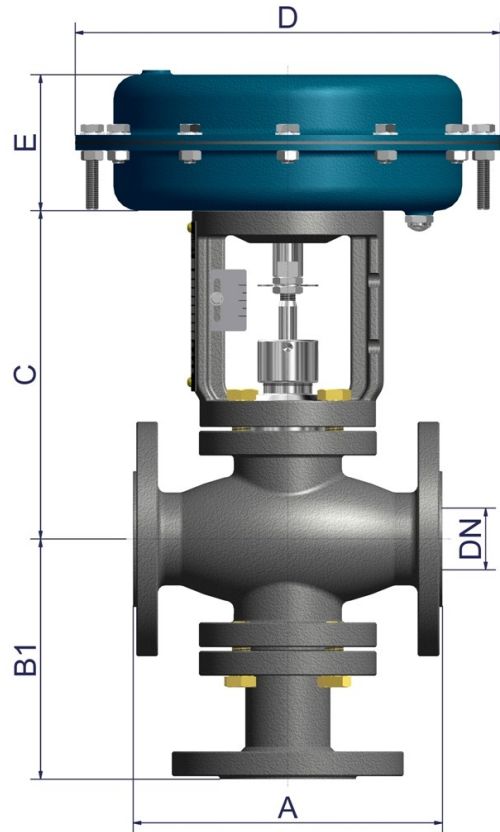
Normally open square way

##### Mixing



Normally open straight way

Normally open square way



#### Dimensions DIN (mm)

DN	A	B <sub>1</sub>	C	D	E
15	130	156	297	200	88
20	150	156	297	200	88
25	160	156	297	200	88
32	180	156	297	275	88
40	200	156	297	275	88
50	230	166	297	275	88
65	290	220	333	340	123
80	310	220	333	430	123
100	350	240	350	430	123
150	480	350	500	430	185

#### Dimensions ANSI CLASS 300 (mm)

DN	A	B <sub>1</sub>	C	D	E
25	197	156	297	200	88
40	235	156	297	275	88
50	267	166	297	275	88
80	318	220	333	430	123
100	368	240	350	430	123
150	473	350	500	430	185

#### Indicative weight\*

DN	15	20	25	32	40	50	65	80	100	150
Kg	15	17	18	28	30	41	65	69	88	180

\* without positioner, airset or other accessories