

Wey Knife Gate Valve MGE PN 16

2.5.41

DN 50–600 Standard construction

Materials acc. to data sheet 2.0.13

Corrosion protection acc. to data sheet 2.0.12

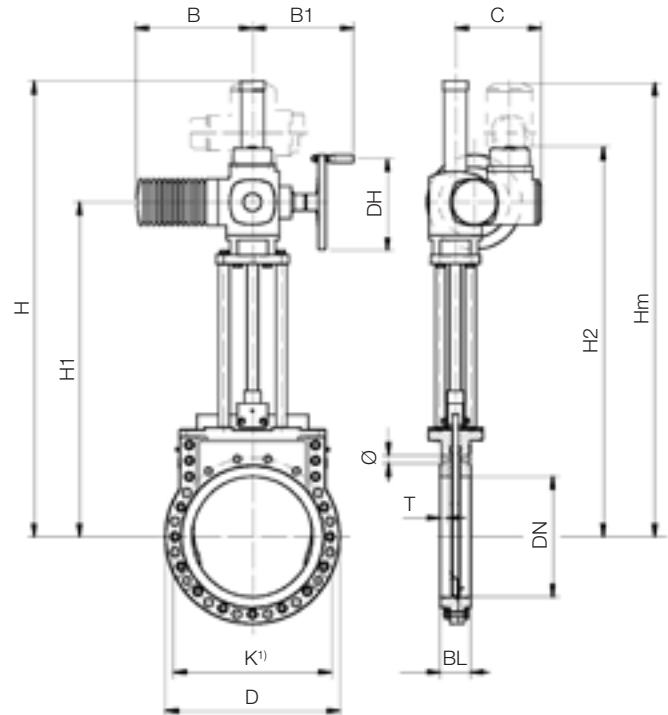
Flange drilling: PN 10/16 EN 1092 / ISO 7005

Face-to-face: EN 558 / ISO 5752 part 20

Nominal pressure PN: 16 bar

Operating pressure: Refer to table column OP

Test acc. EN 12266-1, rate A



DN	D PN 16	K PN 16 ¹⁾	BL	H	H1	H2	Hm	DH	B max.	B1	C	Ø	T	Qty bolts	⊕	⊕	OP (bar) ²⁾	Actuator Auma SA ²⁾	Weight [kg]
50	165	125	43	*	373	583	713	160	265	249	238	M16	–	4	–	4	16	07.2	30
65	185	145	46	*	409	619	749	160	265	249	238	M16	12	8	4	4	16	07.2	31
80	200	160	46	*	436	646	776	160	265	249	238	M16	14	8	4	4	16	07.2	31
⁴⁾ 100	220	180	52	*	498	708	838	160	265	249	238	M16	14	8	4	4	16	07.6	37
⁴⁾ 125	250	210	56	*	532	742	892	160	265	249	238	M16	16	8	4	4	16	07.6	41
150	285	240	56	*	583	793	923	200	283	254	248	M20	16	8	4	4	16	10.2	55
200	340	295	60	850	668	878	1008	200	283	254	248	M20	15	12	6	6	16	10.2	67
³⁾ 250	405	355	68	1015	817	1043	1225	315	389	336	286	M24	17	12	6	6	16	14.2	116
⁴⁾ 300	460	410	78	1265	967	1193	1375	315	389	336	286	M24	21	12	6	6	16	14.2	144
⁵⁾ 350	520	470	78	1348	1050	1276	1458	400	389	339	286	M24	16	16	6	10	16	14.6	176
⁵⁾ 400	580	525	102	1534	1136	1362	1544	400	389	339	286	M27	24	16	6	10	16	14.6	225
⁵⁾ 450	640	585	114	1672	1255	1485	1667	500	430	365	307	M27	29	20	10	10	16	16.2	341
⁵⁾ 500	715	650	127	1733	1316	1546	1728	500	430	365	307	M30	28	20	10	10	16	16.2	410
⁵⁾ 600	840	770	154	2183	1629	1791	–	400	513	409	411	M33	33	20	10	10	16	25.1	701

* protecting tube not necessary

¹⁾ Flange drilling PN 10 possible

²⁾ All actuators are sufficient for specified pressure conditions on unproblematic media
Other actuators acc. to various conditions are possible

³⁾ DN 50–200 in material EN-GJS-400-15 according type MF

⁴⁾ DN 100/125/250 actuator 45° turned

⁵⁾ DN 350/400/450/500/600 actuator 90° turned