

Wey Knife Gate Valve MHE

2.6.40

DN 100–400
Standard construction

Valve operated by electrical actuator 3 × 400 V, 50 Hz, with rising stem

Material acc. to data sheet 2.0.13

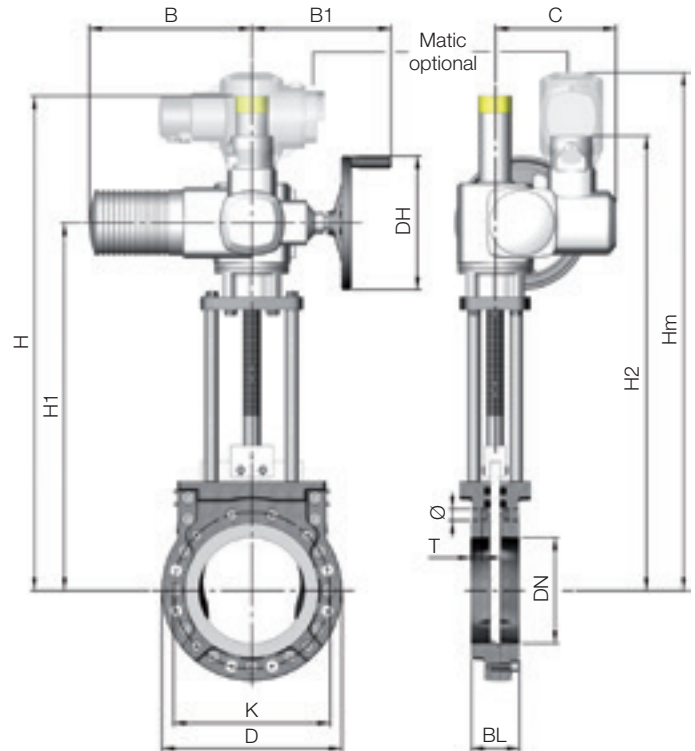
Corrosion protection acc. to data sheet 2.0.12

Flange drilling: PN25 EN 1092 / ISO 7005 (DIN 2501)

Face to Face: EN 558 / ISO 5752 Series 16 (DIN 3202 K3)

Nominal pressure PN: 25 bar

Test pressure acc. to EN 12266 Leakage rate A



DN	D	K	BL	Ø	T	Qty bolts	Qty tapped holes	Qty through through	Actuator*									Weight [kg]
									Typ SA	H	H1	H2	Hm	DH	B	B1	C	
100	235	190	64	M20	15	8	4	4	7.6 ¹⁾	585	498	708	838	200	265	249	238	45
									10.2 ¹⁾	595	500	710	840	200	283	254	248	50
125	270	220	70	M24	17	8	4	4	7.6	647	560	770	900	200	265	249	238	53
									10.2	657	562	772	902	200	283	254	248	58
150	300	250	76	M24	17	8	4	4	10.2	775	583	793	928	200	282	254	248	68
									14.2 ¹⁾	821	683	839	1038	315	384	336	286	100
200	360	310	89	M24	21	12	6	6	10.2	929	737	947	1082	200	282	254	248	98
									14.2	975	787	993	1142	315	384	336	286	125
250	425	370	114	M27	27	12	6	6	14.2	1055	867	1073	1222	315	384	336	286	165
									14.6	1055	867	1073	1222	400	384	338	286	178
300	485	430	114	M27	27	16	6	10	14.2	1275	967	1193	1342	315	384	336	286	205
									14.6	1275	967	1193	1342	400	384	338	286	215
									16.2	1226	1002	1232	1422	500	510	363	307	250
350	555	490	127	M30	31	16	6	10	14.2	1358	1050	1276	1425	315	384	336	288	260
									14.6	1358	1050	1276	1425	400	384	338	288	268
									16.2	1409	1085	1315	1505	500	510	363	307	305
400	620	550	140	M33	35	16	6	10	14.2	1581	1173	1399	1548	315	384	336	286	340
									14.6	1581	1173	1399	1548	400	384	338	286	342
									16.2	1532	1208	1438	1628	500	510	363	307	380

¹⁾ 45° turned

* Actuator size will be selected according to operating conditions