



CF-V application specification

Vertical cantilever slurry pump

Fill out as much information as possible. **Highlighted cells are critical information.** Circle or specify units.

Site conditions

- Elevation _____ ft / m
- Amb. temperature _____ F / °C
- Voltage _____ V
- Frequency _____ Hz

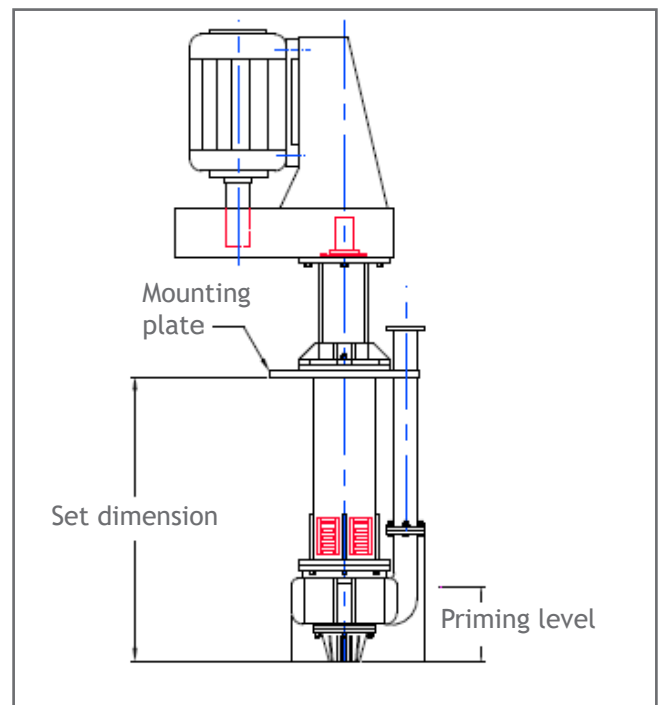
Basic Application Information

- **Flow rate** _____ gpm / m³/h
- TDH (slurry) _____ ft / m
- TDH (uncorrected) _____ ft / m
- **C_w (solids % by wt)** _____ %
- Slurry density _____ SG
- **Sump depth** _____ in / mm

Discharge Pipe Conditions

- **Length** _____ ft / m
- **Elevation change** _____ ft / m
- **Pipe material** _____
- **Pipe size** _____ in / mm
- 90° Elbow _____
- 45° Elbow _____

Additional Comments



Slurry Specification

- **Material type** _____
- Particle size (max) _____
- Particle size (d50) _____
- Particle hardness _____
- Particle shape _____
- Density of solids _____ SG

