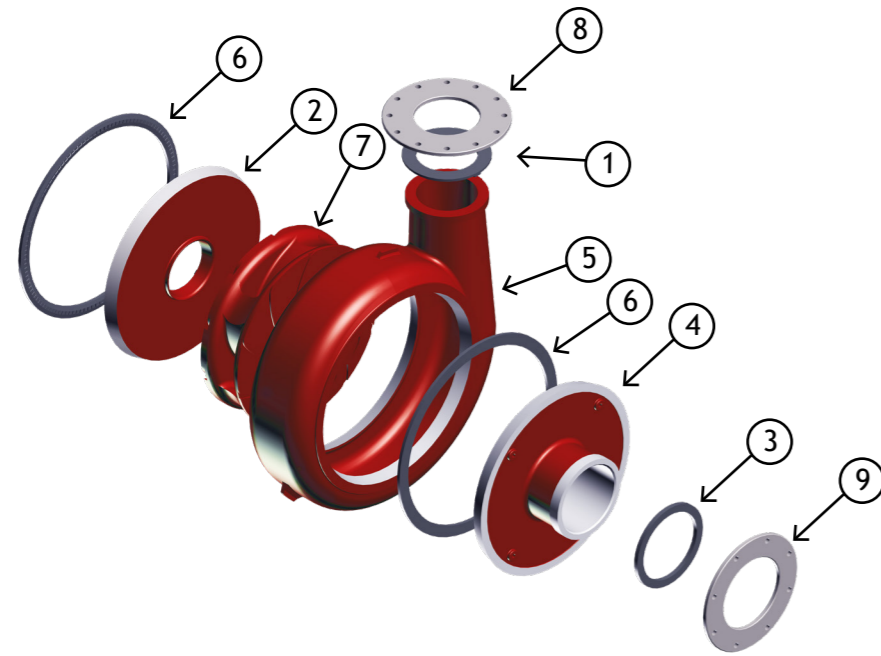




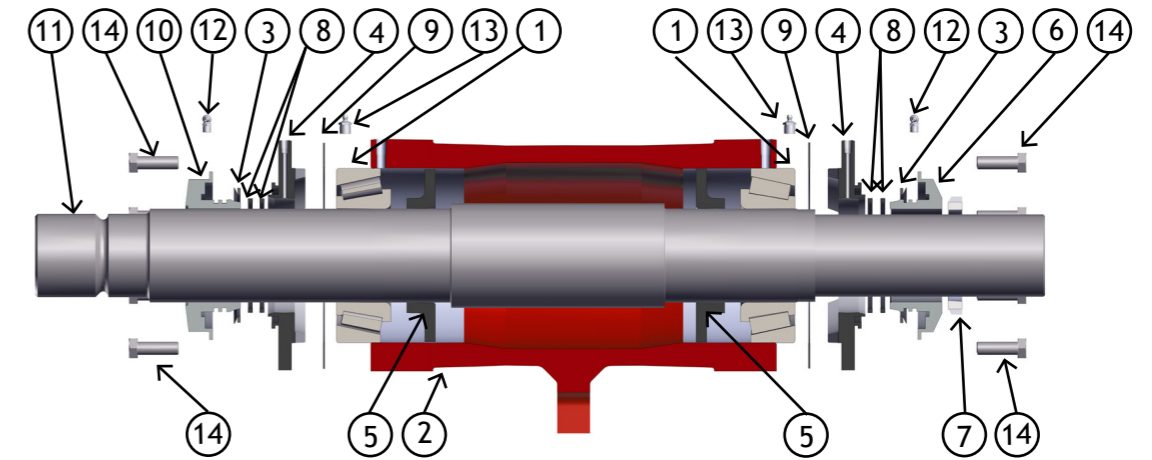
Pump assembly



Number	Description	Quantity
1	Discharge seal	1
2	Rear liner	1
3	Intake gasket	1
4	Intake liner	1
5	Housing liner	1
6	Housing liner seal	2
7	Impeller	1
8	Adapter flange	1
9	Adapter flange	1

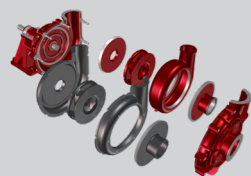
Assembly products

Bearing assembly



Number	Description	Quantity
1	Bearing	2
2	Bearing housing	1
3	Bearing sealing ring	2
4	Cover	2
5	Grease accumulator	2
6	Labyrinth	1
7	Labyrinth lock nut	1
8	Lock ring	4
9	Adjusting shim	2
10	Labyrinth	1
11	Bearing shaft	1
12	1/8" NPT 90 degree nipple	2
13	1/4" NPT straight nipple	2
14	M16 bolt	16

Pump spare parts



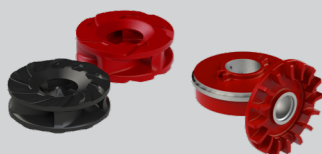
Rubber liners and specialty steel parts

- Metals, a wide range of replacement alternatives
- Elastomers, e.g. NBR, EPDM, CSM



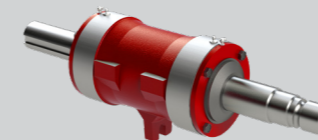
Hoses, shafts, sealing rings, O-rings and sealing strips

- Plus other slurry pump parts



Impellers

- Metal or rubber coated



Bearing assemblies

- Assemblies as needed



Parts for vertical pumps

- Backplates, impellers, pump housings and screens
- Pipelines and intake pipe extensions
- Rubber seals
- Belt covers
- Shafts and bearings



Replacement pump parts



CF-S series	Warman* AH series
1.5 S 1-B	1.5/1 BAH
2 S 1.5-B	2/1.5 BAH
3 S 2-C	3/2 CAH
4 S 3-C	4/3 CAH
4 S 3-D	4/3 DAH
6 S 4-D	6/4 DAH
6 S 4-E	6/4 EAH
8 S 6-E	8/6 EAH
8 S 6-F	8/6 FAH
10 S 8-F	10/8 FAH
10 S 8-S	10/8 STAH
12 S 10-F	12/10 FAH
12 S 10-S	12/10 STAH
14 S 12-F	14/12 FAH
14 S 12-S	14/12 STAH
16 S 14-T	16/14 TUAH
20 S 18-T	20/18 TUAH

CF-V series	Warman* SP and SPR
1.5 V	40 PV SP
2.5 V	65 QV SP
4 V	100 RV SP
6 V	150 SV SP
8 V	200 SV SP
10 V	250 TV SP

All names, numbers and descriptions are used for reference purposes only and do not imply that the parts or pumps are Weir products.

* Warman brand is owned by Weir Group PLC.



Flowrox Oy
P.O. Box 338, FI-53101 Lappeenranta
Finland
Tel. +358 201 113 311

www.flowrox.com
info@flowrox.com

