



ROTODOSER: technical characteristics

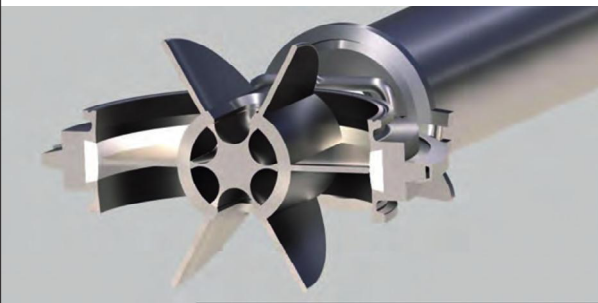
- Valve body in stainless steel 1.4404 (AISI 316L).
- Gasket: in silicone, EPDM, FKM (Viton®) or PTFE.
- Small Rotor in stainless steel or Peek.
- Bushings in ERTALYTE TX FDA approved.
- Finish: inside high polish (Ra < 0,1 µm), outside satin (Ra < 0,8 µm).
- Drive: Pneumatic actuator (main rotor), pneumatic or electric gear motor (small rotor).

ROTODOSER



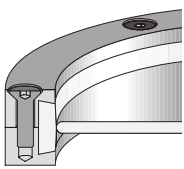
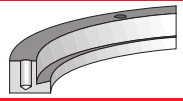
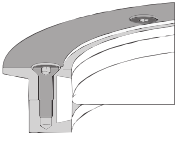
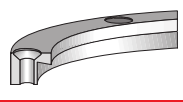
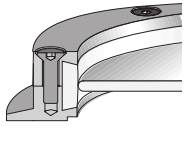
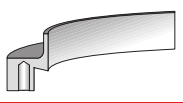
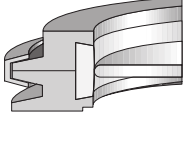
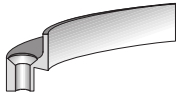
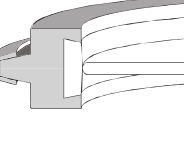
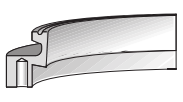
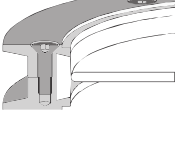
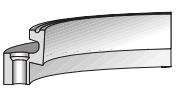
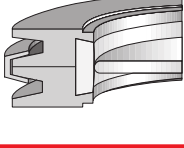
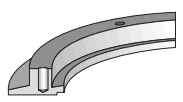
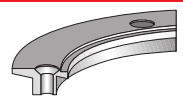




The **RotoDoser** is a smart solution ideal for fine dosing whenever high accuracy is requested. The structure is the same of the rotovalve light with all the advantages of this valve. The **RotoDoser** provides many advantages and peculiarities: it has an highly performing rotor produced inside the main one. Thanks to the two rotors the **RotoDoser** allows to put together the discharge capacity with the accurate dosing.

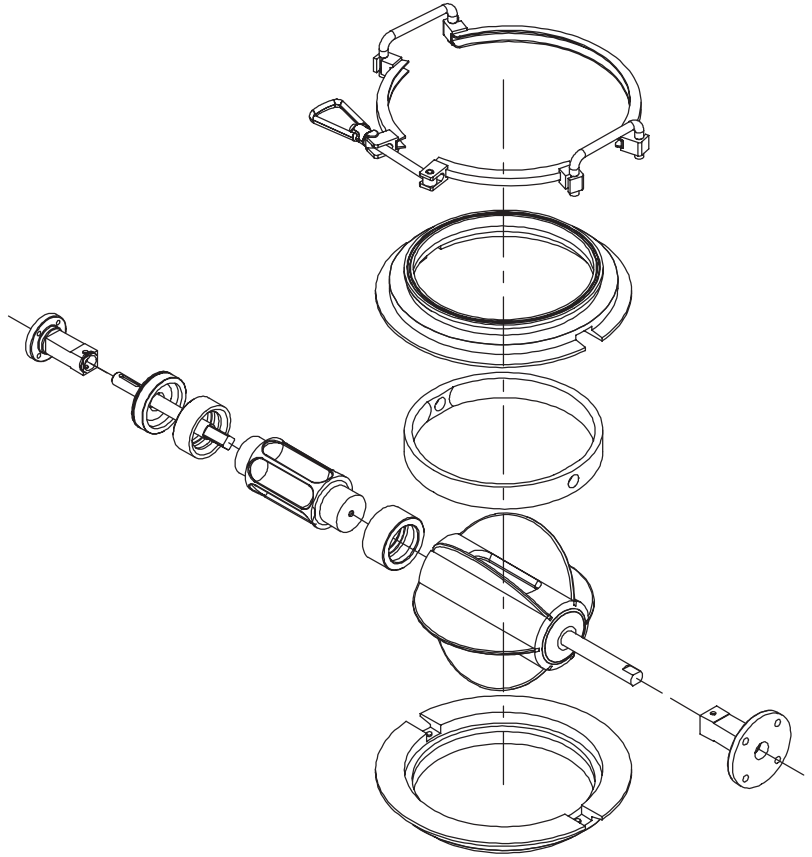
The main rotor discharges large amounts of product in a limited time. Once that the amount discharged is close to the target, the smaller rotor makes the precise dosage. The smaller rotor can be produced in plastic (PEEK). Flow and accuracy can be decided by the customer (the main rotor number of blades, the volume of the rotor single pockets can be customized).



ROTODOSER APPLICATIONS

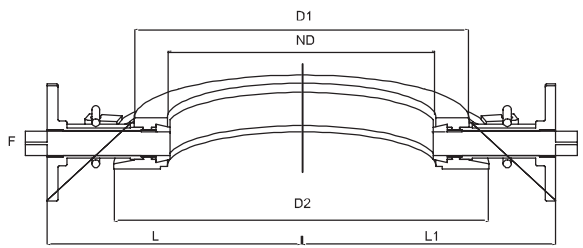
- Filling Stations;
- Cell Load;
- Automatic filling Lines;
- Filling systems in Clean rooms;
- Continuous inliner systems;
- Whenever there is a need of fine dosing.

TYPES	COMPONENTS
 RTD SX	 HSB N
 RTD BX	 HST N
 RTD CX	 HSB C
 RTD CR	 HST C
 RTD SR	 HSB T
 RTD DX	 HST T
 RTD DR	 HCB N
	 HCT N
	 HSR N
	 HSR C
	 HSR T
	 HCR N



ROTODOSER DIMENSIONS

ND	D1	D2	F	L	L1
150	200	230	40	165	130
200	250	280	40	190	130
250	300	330	45	225	190
300	350	380	45	250	250



SteriValves Srl - Via Enrico Mattei, 393 55100 Lucca, Italy
 T +39 0583 440 560 F +39 0583 440 559
www.sterivalves.eu VAT IT01722430467